



DAVIES, CRAIG

World's best auto cooling



Australian Made ▾



Thermatic® Electric Fans
Electric Water Pumps
Electric Booster Pumps
Transmission Oil Coolers
Power Steering Oil Cooler
Thermatic® Electric Switches



daviescraig.com.au



CATALALOGUE

About Davies Craig...



Davies, Craig Pty Ltd is a renowned Australian-owned and operated manufacturing company with fifty years of successful business experience. Pioneering innovator Davies Craig designed the renowned Thermatic® Electric Cooling Fan in 1972, as well as being the first to bring the revolutionary remote-mount, universal-fit, EWP®80 Electric Water Pump to market in 1999 - products which have come to set the global benchmark for quality cooling technology.

The Davies, Craig name has become widely recognised and highly respected around the world due to their unwavering dedication to the development and production of unique cooling products. This is reflected in the vast array of Electric Booster Pumps (EBP®) and the comprehensive selection of Transmission and Engine Oil Coolers, which the company has to offer.

Their Thermatic® Electric Fans and remote-mount EWP® Electric Water Pumps are the 'go-to' choice for automotive professionals looking for reliable and efficient cooling technology - especially for the majority of current and older vehicle models, street rods, drag cars, show cars, customized, high-performance race cars and commercial vehicles. Thanks to the constant, powerful airflow created by the low-profile, high-performance reversible Thermatic® Electric Fans, improved heat transfer, air conditioning efficiency, engine performance and fuel consumption can be easily achieved.



Furthermore, Davies Craig has held a Quality Endorsed Company certification since 1994 - an accreditation they have managed to successfully maintain up until today by adhering to the current requirements of Australian Standards ISO 9001 audits. Davies Craig offers a three-year unconditional warranty on all their cooling products, as well as ensuring after-sales service and customer satisfaction are a top priority.

The development of the original EWP®80 Electric Water Pump and Controller marked a crucial milestone in 1999. This product launch was made possible by the approximately A\$3m worth of research and development that the company had invested in the three years leading up to it - for which they sought the assistance of the Australian Government agency CSIRO, in order to develop the universal-fit, remote-mounted Electric Water Pump to replace the traditional mechanical belt-

driven water pump components with a more efficient, lightweight and less emissions-producing version. Further development ensured and the Patented LCD EWP®/Fan Digital Controller was launched in 2015.

To further broaden the Electric Water Pump (EWP®) range, Davies Craig introduced a range of EWP® Block Adapter Kits and various EWP® accessories. The Davies Craig Electric Booster Pumps, EBP®23, EBP®25 and EBP®40 were added to the product line-up, to suit various applications in automotive, agricultural, horticultural, industrial, recreational industries.

Davies Craig has such strong international presence and large OEM development programs running globally, thanks to the solid alliances that the company has formed with industry leaders in the U.S.A. and U.K., as well as the already established distributors across Europe, the Middle East, the UK, South-East Asia, Japan and the United States. The fact that the company has registered Patents in Australia, EU, USA, Japan, Australia, and India further highlights their outstanding presence.

Senior management regularly visit global markets overseas in order to maintain contact with other professionals, thereby helping the company stay ahead of the game and secure even more marketing opportunities worldwide. All this makes it evident, Davies Craig has the necessary elements to be an industry leader in automotive and industrial cooling solutions.



Index of Products

	Page
Electric Water Pumps	
Electric Water Pump Summary	4
EWP® Range	5
EWP® Selection Guide	6
EWP® Pressure vs Flowrate Chart	6
EWP® 150	7
EWP® 140	8
EWP® 115	9
EWP® 115 Nylon	10
EWP® 80	11
EWP® 80 Flange	12
LCD EWP®/Fan Digital Controller	13
EWP® Block Adaptors	14
Electric Booster Pumps	
EBP® Selection Guide	15
EBP® Pressure vs Flow Chart	15
EBP® 40	16
EBP® 25	17
EBP® 23	18
Electric Water Pump Accessories	
EWP® Accessories	19 & 20
Thermatic® Fan Switches	
Thermatic® Fan Switch Selection Guide	21
Digital & Mechanical Thermatic® Fan Switches	22
Low-Level Coolant Alarm	23
Thermatic® Electric Fans	
About Thermatic® Electric Fans	24
Thermatic® Electric Fan Summary	25
16" Thermatic® Electric Fan	26

	Page
Thermatic Electric Fans - continued	
14" Slimline Electric Thermatic® Fan	27
14" High Power Thermatic® Electric Fan	27
12" Thermatic® Electric Fan	28
12" High Power Thermatic® Electric Fan	28
10" Slimline Thermatic® Electric Fan	29
10" High Power Thermatic® Electric Fan	29
9" Thermatic® Electric Fan	30
8" Thermatic® Electric Fan	30
Thermatic® Electric Fan Accessories	
Digital Gauge Thermatic® Fan Switch	31
Digital Thermatic® Fan Switches	31
Mechanical Thermatic® Fan Switches	31
Temperature Sensor Adapter Kit	31
EWP® Air Bleed Adapter Kit	31
In-line Sensor Adapter with Bung	31
Universal Fan Mounting Kits	32
Fan Mounting Feet	32
Twin Fan Mounting Bracket	32
Universal Fan Mounting Hardware	32
Engine & Transmission Oil Coolers	
Engine & Transmission Oil Coolers Overview	33
Universal Oil Cooler Selection Guide	34
Transmission Oil Coolers - Hydra-Cool® and Ultra-Cool®	35
Transmission Oil Cooler/Fan Combo Kits	36
Transmission Oil Cooler/Fan Combo Kits with AN10 ORB Fittings	37
Oil Cooler Accessories	38
Tyre Pressure Monitoring Kits	
TyreGuard 400 TPMS Kits	39
TyreGuard 400 Sensor Kits	39











Warranty

Davies, Craig Pty Ltd warrants for a period of Three years or 2000 hours continuous running (whichever is the lesser) from the date of purchase. TPMS products carry a 1-year warranty. Davies, Craig shall carry out, free of cost, any repairs that are reasonably necessary to correct any fault in the operation of your Davies, Craig product provided that such a fault is directly attributable to a defect in the workmanship or materials used in the manufacture of the part(s). This warranty is void if the product is misused, altered, tampered with, or is installed or used in a manner that is inconsistent with Davies, Craig's written recommendations and/or installation instructions. Labour and consequential costs are excluded. DAVIES, CRAIG PTY. LTD.



Electric Water Pumps

EWP® Pump Summary

Pump Model		Max Flow Rate	At a glance			Page No.
			Operating Voltage	Max. Current	Inlet & Outlet Size	
EWP®150	 Silver, Alloy	162 l/min 42.8 US gal/min	12 Volt DC 16 V Maximum	10 Amps	38 mm (1-1/2") Push on barb with 16AN ORB fitting	7
			24 Volt DC 28 V Maximum	5.5 Amps		
	 Black, Alloy	162 l/min 42.8 US gal/min	12 Volt DC 16 V Maximum	10 Amps	38 mm (1-1/2") Push on barb with 16AN ORB fitting	
EWP®140	 Black, Alloy	147 l/min 38.8 US gal/min	12 Volt 16 V Maximum	10 Amps	6 Bolt Flange 38 mm (1-1/2") Push on barb with 16AN ORB fitting	8
				24 Volt DC 28 V Maximum		
EWP®115	 Silver, Alloy	139 l/min 36.7 US gal/min	12 Volt DC 16 V Maximum	10 Amps	38 mm (1-1/2") Push on barb with 16AN ORB fitting	9
			24 Volt DC 28 V Maximum	5.5 Amps		
	 Black, Nylon	139 l/min 36.7 US gal/min	12 Volt DC 16 V Maximum	10 Amps	38 mm (1-1/2") Push on barb	10
			24 Volt (20 V - 27 V DC)	5.5 Amps		
EWP®80	 Black, Alloy	90 l/min 23.78 US gal/min	12 Volt DC 16 V Maximum	7.5 Amps	35 mm (1-3/8") Push on barb	11
	 Flanged, Alloy		90 l/min 23.78 US gal/min	12 Volt DC 16 V Maximum	7.5 Amps	6 Bolt Flange with 35 mm (1-3/8") Push on barb
EBP®40		35 l/min 9.25 US gal/min	12 Volt DC (6 V - 20 V DC)	4.5 Amps	19 mm (3/8") Push on barb	16
		37 l/min 9.8 US gal/min	24 Volt DC (20 V - 27 V DC)	2.5 Amps	19 mm (3/8") Push on barb	
EBP®25		30.0 l/min @ 10 kpa 7.13 US gal/min	12 Volt DC (8 V - 20 V DC)	2.1 Amps	19 mm (3/8") Push on barb	17
EBP®23		23 l/min 6 US gal/min	12 Volt DC (6 V - 18 V DC)	1.3 Amps	19 mm (3/8") Push on barb	18

Electric Water Pumps

EWP® Range

EWP® Pump



Pump only

EWP® Kit



EWP®, Relay, Wire Joiner, Wiring Harness, Hose Clamps.

EWP® Combo Kit



EWP®, Digital Controller, Wiring Harness, Thermal Temp. Sensor, Inline, Adapter Hose Clamps.

EWP® 150 Alloy

The EWP®150 Alloy Electric Water Pump provides a maximum flow rate of 162 l/min. This advanced unit is designed for remote mounting in the engine bay to satisfy the cooling demands of high horsepower, turbocharged, supercharged, engines and Water to air intercooler applications. This compact pump is manufactured with both 16AN ORB and 38mm (1-1/2") push on barb fittings on the inlet and Outlet of the pump are for neat, secure, and convenient fitment in any application.

EWP® 140 Alloy

The EWP®140 provides a maximum flow rate of 147 l/min and like all the EWPs, this unit is designed for universal remote mount fitment, to satisfy the cooling demands of high horsepower, turbocharged, supercharged, engines and Water to air intercooler applications. This compact pump is manufactured with 6 bolt flange fittings on both the inlet and outlet of the pump for superior fitment flexibility, the provided 38mm (1-1/2") straight and right-angle push on barb fittings offer convenient fitment in any application.

EWP® 115 Alloy

The EWP®115 Alloy provides a maximum flow rate of 139 l/min that improves engine cooling control and capacity whilst giving you more power, torque, and improved fuel economy. The EWP®115 alloy is a practical alternative to the mechanical belt-driven pump or as an auxiliary pump for small, medium, and large high- performance vehicles. This compact pump is manufactured with both 16AN ORB and 38mm (1-1/2") push on barb fittings on the inlet and outlet of the pump are for neat, secure, and convenient fitment in any application.

EWP® 115 Nylon

The EWP®115 Nylon provides a maximum flow rate of 139 l/min that improves engine cooling control and capacity whilst giving you more power, torque, and improved fuel economy. The EWP®115 Nylon is a practical alternative to the mechanical belt-driven pump or as an auxiliary pump small, medium, and large high- performance vehicles. This compact pump is manufactured out of anti-corrosive, lightweight, heat-resistant, glass-filled nylon with 38mm (1-1/2") push on barb fittings on the inlet and outlet of the pump for neat, secure, and convenient fitment in any application.

EWP® 80 Alloy

The Alloy EWP®80 provides a maximum flow rate of 90 l/min and will fit most vehicle makes, and models fitted with naturally aspirated engines up to two litres as an alternative to the mechanical belt-driven pump or as an auxiliary pump. This compact pump is manufactured out of lightweight Aluminium. 35mm (1-3/8") push on barb fittings on the inlet and Outlet of the pump for neat, secure, and convenient fitment in any application.

EWP® 80 Alloy - Flanged

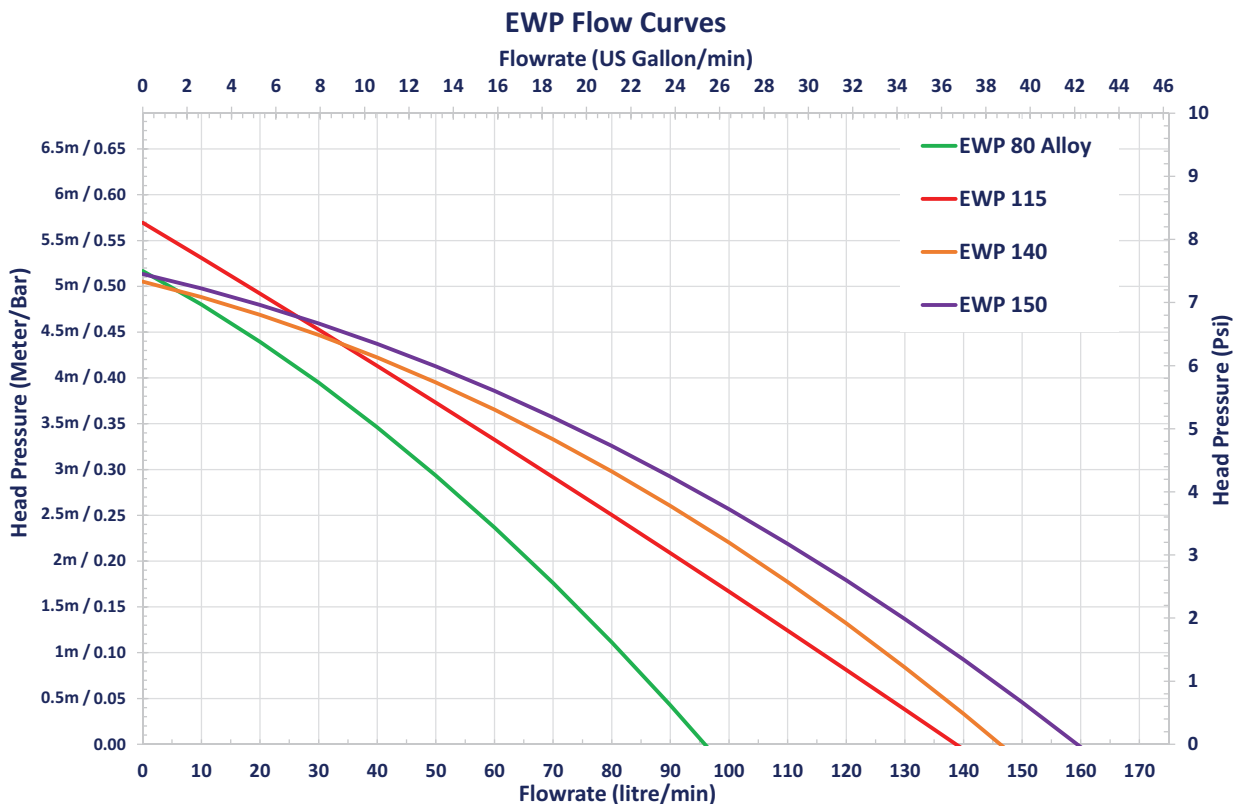
The Flanged Alloy EWP®80 provides a maximum flow rate of 90 l/min and will fit most vehicle makes, and models fitted with naturally aspirated engines up to two litres as an alternative to the mechanical belt-driven pump or as an auxiliary pump. This compact pump is manufactured out of lightweight Aluminium and utilises 6 bolt flange fittings on both the inlet and outlet of the pump for superior fitment flexibility. The provided 35mm (1-3/8") straight and right-angle push on barb fittings offer convenient fitment in any application.

**Please refer to individual components for specifications.*

Product Selection Guide

If your vehicle has a modified engine, we recommend including the next size up from the unit listed below.

Application	Pump Model	Pump Only Part Number		Pump Kit Part Number		Pump and digital controller Combo Part Number		Controller Part Number
		12 V	24 V	12 V	24 V	12 V	24 V	12 V & 24 V
Engines up to 2.0L (Standard)	EWP®80	#8109 Barb #8106 Flange		#8009 Barb #8006 Flange		#8919 Barb #8908 Flange		#8002
Engines up to 2.0L - 3.5L (Standard)	EWP®115	#8125 Nylon #8140 Alloy	#8126 Nylon #8141 Alloy	#8025 Nylon #8040 Alloy		#8930 Nylon #8950 Alloy		#8002
Engines up to 3.5L - 5.0L (Standard)	EWP®140	#8190 Black	#8191 Black	#8090 Black		#8980 Black		#8002
Engines 5.0L or greater (Standard)	EWP®150	#8160 Silver #8165 Black	#8161 Silver	#8060 Silver #8065 Black	#8061 Silver	#8970 Silver #8975 Black	#8971 Silver	#8002
Modified Engines Supercharged / Turbo	EWP®150	#8160 Silver #8165 Black	#8161 Silver	#8060 Silver #8065 Black	#8061 Silver	#8970 Silver #8975 Black	#8971 Silver	#8002
Drag Racing, Drifting & Speedway, Circuit Racing, Off Road and 4WDs	EWP®150	#8160 Silver #8165 Black	#8160 Silver	#8060 Silver #8065 Black	#8061 Silver	#8970 Silver #8975 Black	#8971 Silver	#8002
Intercooler (Depending on capacity)	EWP®115	#8125 Nylon #8140 Alloy	#8126 Nylon #8141 Alloy	#8025 Nylon #8040 Alloy				
	EWP®140	#8180 Silver #8190 Black	#8181 Silver	#8080 Silver #8090 Black				
	EWP®150	#8160 Silver #8165 Black	#8161 Silver	#8060 Silver #8065 Black	#8061 Silver			



Electric Water Pumps

EWP®150 - 162 l/min. (42.8 gal/min.) Remote Electric Water Pump



Kit Contents

Package Contents	
EWP® Only	1 x EWP®150
EWP® Kit	1 x EWP®150 1 x Relay 1 x Relay harness 1 x Assorted Hardware
EWP® Combo	1 x EWP®150 1 x EWP®/Fan Digital Controller 1 x Wiring harness 1 x Assorted Hardware

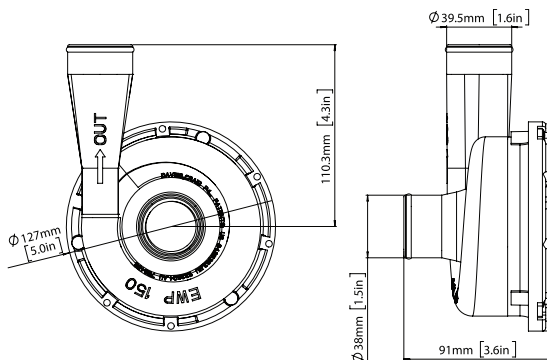
Accessories

Description	Part
EWP® - Heater Return Adapter Kit (38mm)	#8315
EWP® 90° Swivel Elbow Adapter Fitting: - 16AN ORB to 38mm (1-1/2") Hose Barb	#1024
16AN ORB to 3/4" (19mm) Hose Barb Aluminium Fitting	#1021
16AN ORB to 1" (25mm) Hose Barb Aluminium Fitting	#1023
Adapter - Rubber Sleeve - 3mm (1/8")	#18510
Adapter - Rubber Sleeve - 6mm (1/4")	#18511
EWP® Mounting Bracket suits 115-130-150	#8700
EWP® Mounting Plate suits 115-130-150	#8710

Description	Part
EWP®150 SILVER- 12 V Remote Electric Water Pump	#8160
EWP®150 BLACK - 12 V Remote Electric Water Pump	#8165
EWP®150 SILVER - 24 V Remote Electric Water Pump	#8161
EWP®150 SILVER Kit - 12 V Remote Electric Water Pump	#8060
EWP®150 BLACK Kit - 12 V Remote Electric Water Pump	#8065
EWP®150 SILVER Kit - 24 V Remote Electric Water Pump	#8061
EWP®150 SILVER Combo - 12 V Remote Electric Water Pump & Controller	#8970
EWP®150 BLACK Combo - 12 V Remote Electric Water Pump & Controller	#8975
EWP®150 SILVER Combo - 24 V Remote Electric Water Pump & Controller	#8971

Technical Specifications

Description	12 Volt Pump	24 Volt Pump
Operating voltage	12 V DC 16 V Maximum	24 V DC 28 V Maximum
Maximum current	10 A @ 13 V	5.5 A @ 24 V
Motor Type	Brushed DC Motor	
Open Flowrate	162 l/min (42.8 gal/min) @ 0 kPa	
Maximum Head Pressure	0.51 Bar (7.4 psi)	
Maximum Head Height	5.1m (16' 8.79")	
Fluid Temperatures	-40 °C to 120 °C (-40 °F to 248 °F)	
Pump Weight	1170 grams (2.6 lbs.)	
Body Material	Aluminium	
Burst Pressure	500 kPa (72.52 psi)	
Inlet & Outlet	38mm (1-1/2") Push on barb With 16AN ORB fitting	
Hose Fitment	Without sleeve	35 mm to 41 mm 1-3/8" to 1-5/8"
	With 3mm Sleeve (#18510) not supplied	41 mm to 47 mm 1-5/8" to 1-7/8"
	With 6mm Sleeve (#18511) not supplied	47 mm to 54 mm 1-7/8" to 2-1/8"
Internal Thread Specification	1 5/16 -12 UN	
Application Engine Size	5 litres + (305 ci+)	



Electric Water Pumps

EWP®140 - 147 l/min. (38.8 gal/min.) Remote Electric Water Pump



EWP®140

Kit Contents

Package Contents	
EWP® Only	1x EWP®140
EWP® Kit	1 x EWP®140 1 x Wiring Harness & Relay 2 x Flange Adapters 38mm (1½") 1 x Assorted Hardware
EWP® Combo	1 x EWP®140 1 x EWP®/Fan Digital Controller 1 x Wiring Harness & Relay 2 x Flange Adapters 38mm (1½") 1 x Assorted Hardware

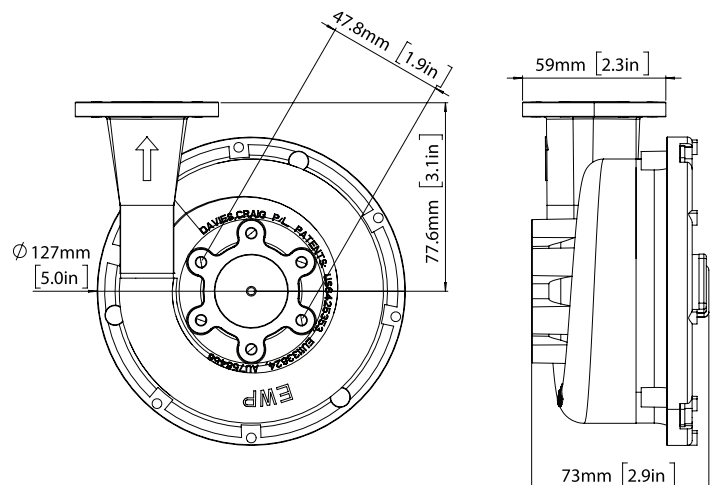
Accessories

Description	Part
EWP® - Heater Return Adapter Kit (38mm)	#8315
EWP® 90° Swivel Elbow Adapter Fitting: - 16AN ORB to 38mm (1-1/2") Hose Barb	#1024
16AN ORB to 3/4" (19mm) Hose Barb Aluminium Fitting	#1021
16AN ORB to 1" (25mm) Hose Barb Aluminium Fitting	#1023
Adapter - Rubber Sleeve - 3mm (1/8")	#18510
Adapter - Rubber Sleeve - 6mm (1/4")	#18511
EWP® Mounting Bracket suits 115-130-150	#8700
EWP® Mounting Plate suits 115-130-150	#8710

Description	Part
EWP®140 (Black) - 12 V Remote Electric Water Pump	#8190
EWP®140 (Black) - 24 V Remote Electric Water Pump	#8191
EWP®140 Kit (Black) - 12 V Remote Electric Water Pump	#8090
EWP®140 Black Combo - 12 V Remote Electric Water Pump & Controller	#8980

Technical Specifications

	12 Volt Pump	24 Volt Pump
Operating voltage	12 V DC 16 V Maximum	24 V DC 28 V Maximum
Maximum current	10 A @ 13 V	5.5 A @ 24 V
Motor Type	Brushed DC Motor	
Open Flowrate	147 l/min (38.78 gal/min) @ 0 kPa	
Maximum Head Pressure	0.51 Bar (7.4 psi)	
Maximum Head Height	5.1m (16' 8.79")	
Fluid Temperatures	-40° C to 120° C (-40° F to 248° F)	
Pump Weight	1226 grams (2.7lbs)	
Body Material	Aluminium	
Burst Pressure	500 kPa (72.52 psi)	
Inlet & Outlet	6 Bolt Flange 38mm (1-1/2") Push on barb with 16AN ORB fitting	
Hose Fitment	Without sleeve	35 mm to 41 mm 1-3/8" to 1-5/8"
	With 3mm Sleeve (#18510) not supplied	41 mm to 47 mm 1-5/8" to 1-7/8"
	With 6mm Sleeve (#18511) not supplied	47 mm to 54 mm 1-7/8" to 2-1/8"
Internal Thread Specification	1 5/16 -12 UN	
Application Engine Size	3.5 litres - 5 litres (214 ci - 305 ci)	



Electric Water Pumps

EWP®115 - 139 l/min. (36.7 gal/min.) Remote Electric Water Pump



EWP 115



Kit Contents

Package	Contents
EWP® Only	1x EWP®115
EWP® Kit	1 x EWP®115 1 x Wiring Harness & Relay 1 x Assorted Hardware
EWP® Combo	1 x EWP®115 1 x EWP®/Fan Digital Controller 1 x Wiring Harness & Relay 1 x Assorted Hardware

Accessories

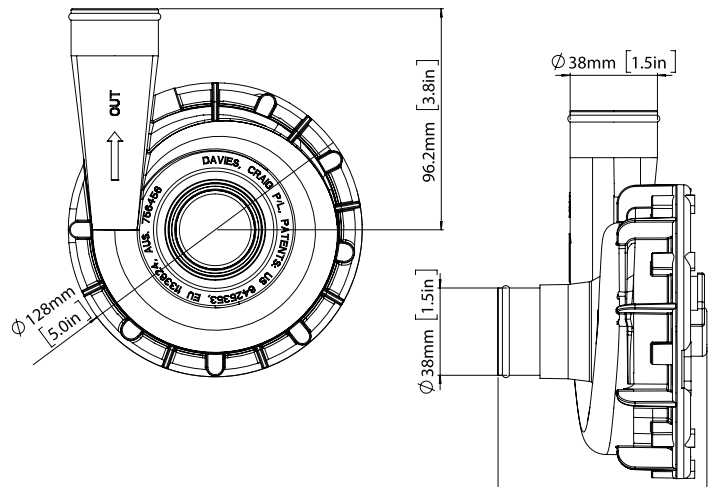
Description	Part
EWP® - Heater Return Adapter Kit (38mm)	#8315
EWP® 90° Swivel Elbow Adapter Fitting: 16AN ORB to 38mm (1-1/2") Hose Barb	#1024
16AN ORB to 3/4" (19mm) Hose Barb Aluminium Fitting	#1021
16AN ORB to 1" (25mm) Hose Barb Aluminium Fitting	#1023
Adapter - Rubber Sleeve - 3mm (1/8")	#18510
Adapter - Rubber Sleeve - 6mm (1/4")	#18511
EWP® Mounting Bracket suits 115-130-150	#8700
EWP® Mounting Plate suits 115-130-150	#8710
EWP® Mounting Hardware (5 x M4 x 25mm Bolts)*	#8711

*(Required for correct mounting of EWP115 Alloy)

Description	Part
EWP®115 Alloy - 12 V Remote Electric Water Pump	#8140
EWP®115 Alloy - 24 V Remote Electric Water Pump	#8141
EWP®115 Alloy Kit - 12 V Remote Electric Water Pump	#8040
EWP®115 Alloy Combo - 12 V Remote Electric Water Pump & Controller	#8950

Technical Specifications

	12 Volt Pump	24 Volt Pump
Operating voltage	12 V DC 16 V Maximum	24 V DC 28 V Maximum
Maximum current	10 A @ 13 V	5.5 A @ 24 V
Motor Type	Brushed DC Motor	
Open Flowrate	139 l/min (36.66 gal/min) @ 0 kPa	
Maximum Head Pressure	0.57 Bar (8.2 psi)	
Maximum Head Height	5.7m (18' 8.4")	
Fluid Temperatures	-40°C to 120°C (-40°F to 248°F)	
Pump Weight	1101 grams (2.43 lbs)	
Body Material	Aluminium	
Burst Pressure	500 kPa (72.52 psi)	
Inlet & Outlet	38mm (1-1/2") Push on barb with 16AN ORB fitting	
Hose Fitment	Without sleeve	35 mm to 41 mm 1-3/8" to 1-5/8"
	With 3mm Sleeve (#18510) not supplied	41 mm to 47 mm 1-5/8" to 1-7/8"
	With 6mm Sleeve (#18511) not supplied	47 mm to 54 mm 1-7/8" to 2-1/8"
Internal Thread Specification	1 5/16 -12 UN	
Application Engine Size	2 litres - 3.5 litres (122 ci - 214 ci)	



Electric Water Pumps

EWP®115 Nylon - 139 l/min. (36.7 gal/min.) Remote Electric Water Pump



EWP®115

Kit Contents

Package	Contents
EWP® Only	1x EWP®115
EWP® Kit	1 x EWP®115 1 x Wiring Harness & Relay 1 x Assorted Hardware
EWP® Combo	1 x EWP®115 1 x EWP®/Fan Digital Controller 1 x Wiring Harness & Relay 1 x Assorted Hardware

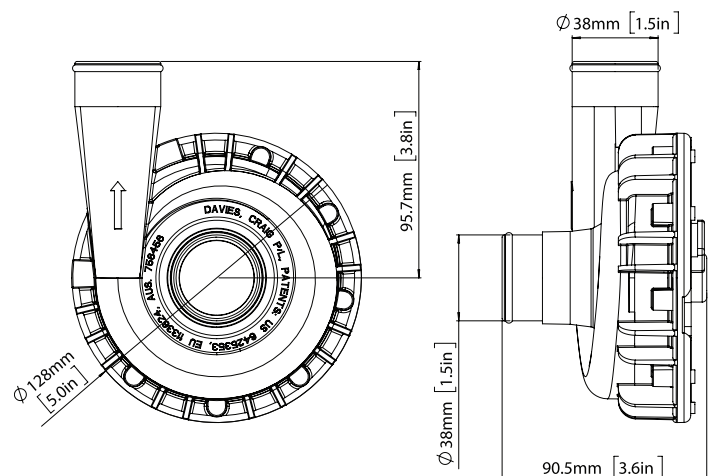
Accessories

Description	Part
Adapter - Rubber Sleeve - 3mm (1/8")	#18510
Adapter - Rubber Sleeve - 6mm (1/4")	#18511
EWP® Mounting Bracket suits 115-130-150	#8700

Description	Part
EWP®115 Nylon - 12 V Remote Electric Water Pump	#8125
EWP®115 Nylon - 24 V Remote Electric Water Pump	#8126
EWP®115 Nylon Kit - 12 V Remote Electric Water Pump	#8025
EWP®115 Nylon Combo - 12 V Remote Electric Water Pump & Controller	#8930

Technical Specifications

	12 Volt Pump	24 Volt Pump
Operating voltage	12 V DC 16 V Maximum	24 V DC 28 V Maximum
Maximum current	10 A @ 13 V	5.5 A @ 24 V
Motor Type	Brushed DC Motor	
Open Flowrate	139 l/min (36.66 gal/min) @ 0 kPa	
Maximum Head Pressure	0.57 Bar (8.2 psi)	
Maximum Head Height	5.7m (18' 8.4")	
Fluid Temperatures	-40°C to 120°C (-40°F to 248°F)	
Pump Weight	920 grams (2.03 lbs)	
Body Material	Nylon 66 - glass fibre 30%	
Burst Pressure	500 kPa (72.52 psi)	
Inlet & Outlet	38mm (1-1/2") Push on barb	
Hose Fitment	Without sleeve	35 mm to 41 mm 1-3/8" to 1-5/8"
	With 3mm Sleeve (#18510) not supplied	41 mm to 47 mm 1-5/8" to 1-7/8"
	With 6mm Sleeve (#18511) not supplied	47 mm to 54 mm 1-7/8" to 2-1/8"
Internal Thread Specification	N/A	
Application Engine Size	2 litres - 3.5 litres (122 ci - 214 ci)	



Electric Water Pumps

EWP® 80 - 90 l/min. (23.8 gal/min.) Remote Electric Water Pump



Kit Contents

Package	Contents
EWP® Only	1x EWP®80
EWP® Kit	1 x EWP®80 1 x Wiring Harness & Relay 1 x Assorted Hardware
EWP® Combo	1 x EWP®80 1 x EWP®/Fan Digital Controller 1 x Wiring Harness & Relay 1 x Assorted Hardware

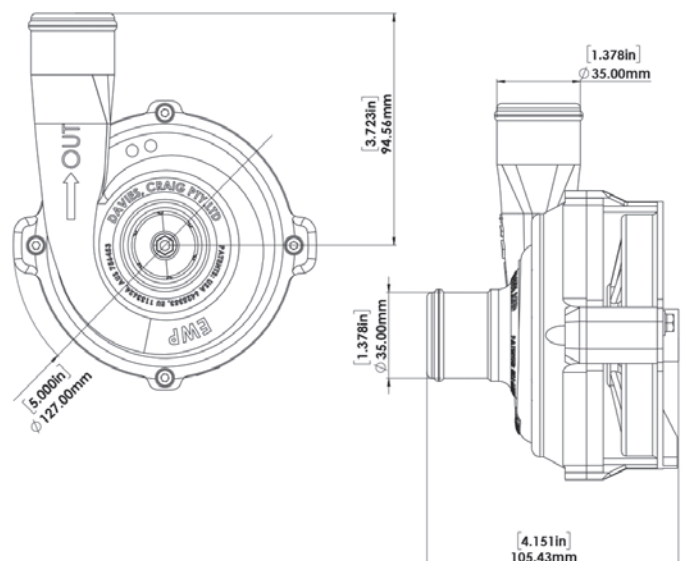
Accessories

Description	Part
Adapter - Rubber Sleeve - 3mm (1/8")	#18510
Adapter - Rubber Sleeve - 6mm (1/4")	#18511

Description	Part
EWP®80 Alloy (12 V) Remote Electric Water Pump	#8109
EWP®80 Alloy Kit (12 V) Remote Electric Water Pump	#8009
EWP®80 Alloy Combo (12 V) Remote Electric Water Pump & Controller	#8919

Technical Specifications

Description	12 Volt Pump	
Operating voltage	12 V DC 16 V Maximum	
Maximum current	7.5 A @ 13 V	
Motor Type	Brushed DC Motor	
Open Flowrate	90 l/min (23.78 gal/min) @ 0 kPa	
Maximum Head Pressure	0.52 Bar (7.5 psi)	
Maximum Head Height	5.2m (17' 0.72")	
Fluid Temperatures	-40°C to 120°C (-40°F to 248°F)	
Pump Weight	1025 grams (2.03 lbs)	
Body Material	Aluminium	
Burst Pressure	500 kPa (72.52 psi)	
Inlet & Outlet	35mm (1-3/8") Push on barb	
Hose Fitment	Without sleeve	32 mm to 38 mm 1-1/4" to 1-1/2"
	With 3mm Sleeve (#18510) not supplied	41 mm to 44 mm 1-5/8" to 1-3/4"
	With 6mm Sleeve (#18511) not supplied	47 mm to 50 mm 1-7/8" to 2"
Internal Thread Specification	N/A	
Application Engine Size	Up to 2 litres (122 ci)	



Electric Water Pumps

EWP® 80 Alloy Flange - 90 l/min. (23.8 gal/min.) Remote Electric Water Pump



Kit Contents

Package Contents	
EWP® Only	1x EWP®80 Alloy Flange
EWP® Kit	1 x EWP®80 Alloy Flange 1 x Wiring Harness & Relay 1 x Assorted Hardware
EWP® Combo	1 x EWP®80 Alloy Flange 1 x EWP®/Fan Digital Controller 1 x Wiring Harness & Relay 1 x Assorted Hardware

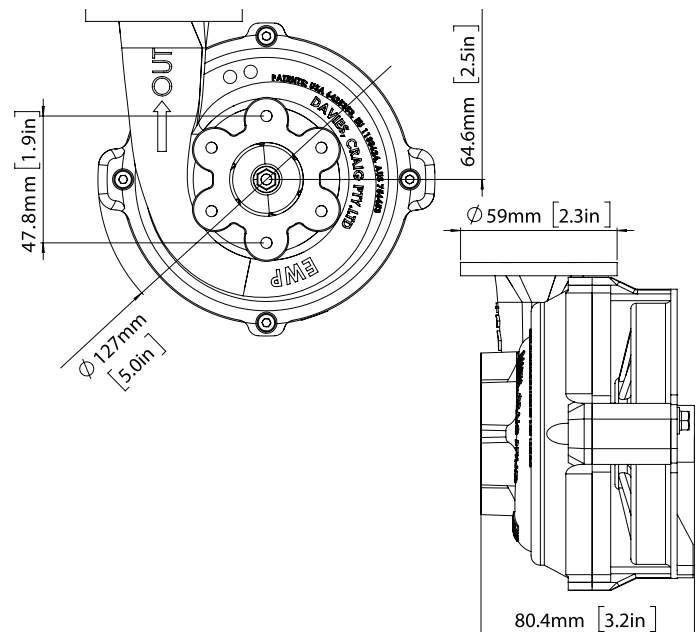
Accessories

Description	Part
EWP® Alloy 90° Elbow Flange Adapter: 38mm (1-1/2") Hose Barb with Female 16AN ORB	#8303
EWP® Alloy Flange Adapter: 38mm (1-1/2") Straight Hose Barb with Female 16AN ORB	#8304
EWP® Alloy Flange Adapter: Male -16AN	#1025
EWP® Alloy Flange Adapter: 25mm (1") Straight Hose Barb	#1027
EWP® Alloy Flange Adapter: 19mm (3/4") Straight Hose Barb	#1028
Adapter - Rubber Sleeve - 3mm (1/8")	#18510
Adapter - Rubber Sleeve - 6mm (1/4")	#18511
EWP® Nylon Flange Adapter: 35mm (1-3/8") Straight Hose Barb	#8307
EWP® Nylon 90° Elbow Flange Adapter: 35mm (1-3/8") Hose Barb	#8309

Description	Part
EWP®80 Alloy Flange - 12 V Remote Electric Water Pump	#8106
EWP®80 Alloy Flange Kit - 12V Remote Electric Water Pump	#8006
EWP®80 Alloy Flange Combo - 12V Remote Electric Water Pump & Controller	#8908

Technical Specifications

	12 Volt Pump	
Operating voltage	12 V DC 16 V Maximum	
Maximum current	7.5 A @ 13 V	
Motor Type	Brushed DC Motor	
Open Flowrate	90 l/min (23.78 gal/min) @ 0 kPa	
Maximum Head Pressure	0.52 Bar (7.5 psi)	
Maximum Head Height	5.2m (17' 0.72")	
Fluid Temperatures	-40 °C to 120 °C (-40 °F to 248 °F)	
Pump Weight	1100 grams (2.43 lbs)	
Body Material	Aluminium	
Burst Pressure	500 kPa (72.52 psi)	
Inlet & Outlet	6 Bolt Flange 35mm (1-3/8") Push on barb	
Hose Fitment	Without sleeve	32 mm to 38 mm 1-1/4" to 1-1/2"
	With 3mm Sleeve (#18510) not supplied	41 mm to 44 mm 1-5/8" to 1-3/4"
	With 6mm Sleeve (#18511) not supplied	47 mm to 50 mm 1-7/8" to 2"
Internal Thread Specification	N/A	
Application Engine Size	Up to 2 litres (122 ci)	



Electric Water Pumps

EWP® & Fan Digital Controller Kit

For optimum coolant control of all Davies, Craig 12V or 24V Electric Water Pumps and Thematic® Electric Fans.

The EWP®/Fan Digital Controller has several specific functions:-

This unique Digital Controller will manage the operation of the EWP® by varying the speed of the pump in response to the coolant temperature and manage control of your electric engine fan.

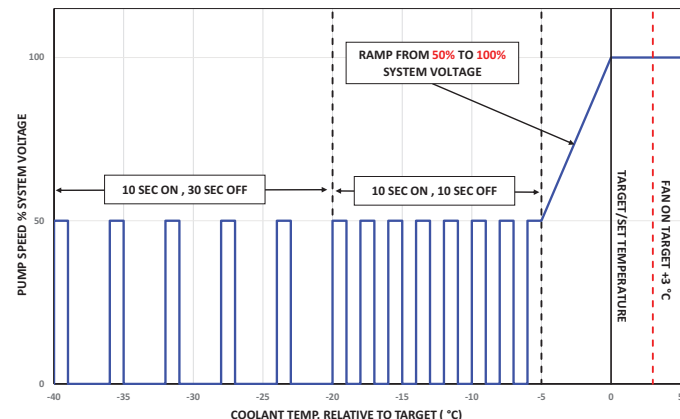
The Controller has a push-button to lock in any temperature between 40°C and 110°C. It's highly recommended you target/set temperature at least +5°C (+9°F) above that rated on the factory thermostat.

Generally, higher engine temperature will offer improved fuel efficiency and lower engine temperature more power. The Digital Controller will operate the engine's electric fan automatically once the engine has reached 3°C (5.4°F) above the target (set) temperature. Another significant benefit is that the Controller allows the EWP® to run on after ignition shutdown to eliminate heat soak.



3
YEAR
WARRANTY

The EWP® & Fan Digital Controller will also manage coolant flow of most other electric water pumps.



Description	Part
EWP® & Fan Digital Controller Kit - 12 & 24 Volt	#8002

Kit Contents

Package Contents
1 x EWP® & Fan Digital Controller
1 x 35mm (1-3/8") Inline Adapter 2 x 1/4" NPT Ports, 1 Bung
2 x Adapter, Rubber Sleeve - 3mm (1/8")
2 x Hose Clamps
1 x Thermal Temperature Sensor 1/4" NPT thread
1 x Mounting Plate
1 x Mounting U Bracket

Technical Specifications

Description		
Rated voltage	12 V DC	24 V DC
Operating voltage	10.5 V - 17.5 V	21.5 V - 27.5 V
EWP® current - continuous	12.5A Max	
Temperature setting range	40°C - 110°C (104°F - 230°F) temperature setting is Saved to memory	
Factory set temperature	85°C (185°F)	
Fan activation temperature	SET + 3°C (5.4°F)	
Display	3.4" LCD Display	
Controller Dimensions	98mm (3.8") Height 95mm (3.7") Width 25mm (1") Thickness	
Indicators	Coolant Temperature, EWP® Status Fan Status, Battery Voltage, Fault indicators Override Status, Shutdown statue	
Warnings and fault detection with audible alarm	EWP® Fault, Sensor Open/Short Circuit Low Temperature, High Temperature High Battery Voltage, Low Battery Voltage	
Shutdown function	EWP® and Fan will operate until the engine temperature reaches -10°C (-18°F) below the set/targeted temperature or after 3 minutes	

Accessories and Spare Parts

Description	Part
EWP® & Fan Digital Controller (Module only)	#8102
Sensor Connector for Thermal Temperature Sensor	#10465
Controller wiring harness	#18410
Thermal Temperature Sensor 1/4" NPT thread	#18415
Thermal Temperature Sensor 1/8" NPT thread	#18418
35mm (1-3/8") Inline Adapter, 2 x 1/4" NPT Ports & 1 x Bung	#0419
38mm (1-1/2") Inline Adapter, 2 x 1/4" NPT Ports & 1 x Bung	#0416
Adapter, Rubber Sleeve - 3mm (1/8")	#18510
Adapter - Rubber Sleeve - 6mm (1/4")	#18511

EWP® Block Adaptors

Davies, Craig's EWP® Header Adaptors are designed for use with an EWP® Electric Water Pump Combo Kits to replace your existing belt-driven mechanical water pump. Choose the Header Adaptor that suits your engine:

Chevrolet Big Block V8 Engines

Description	Part
EWP® Block Adapter - Chevy Big Block	#8621
Blue Silicone Y Hose (available separately)	#8317



Ford Big Block Engine

Description	Part
EWP® Block Adapter - Ford Big Block (429-460)	#8630
Black Silicone Y Hose (available separately)	#8320



Holden 253, 304, 308 5.0 L V8 Engines

Description	Part
EWP® Block Adapter - GMH 253, 304, 308 5.0 Litre	#8600



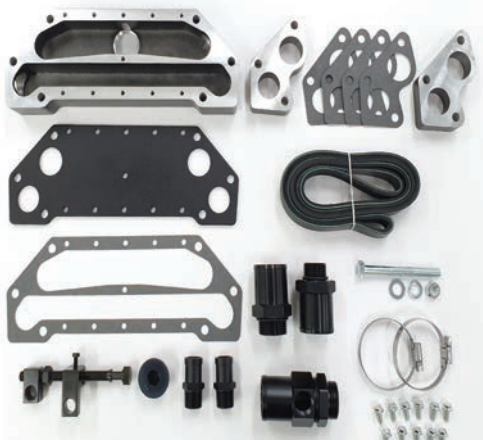
Ford Coyote 5.0 Litre Engine

Description	Part
EWP® Block Adapter - Ford Coyote 5.0 Litre	#8660



GM LS Series Engines

Description	Part
LS Series EWP® Block Adapter suits GM GEN III & IV SB & LSX	#8670






Ford Windsor V8 Engine - Early

Description	Part
EWP® Block Adapter - Ford Windsor Early	#8640



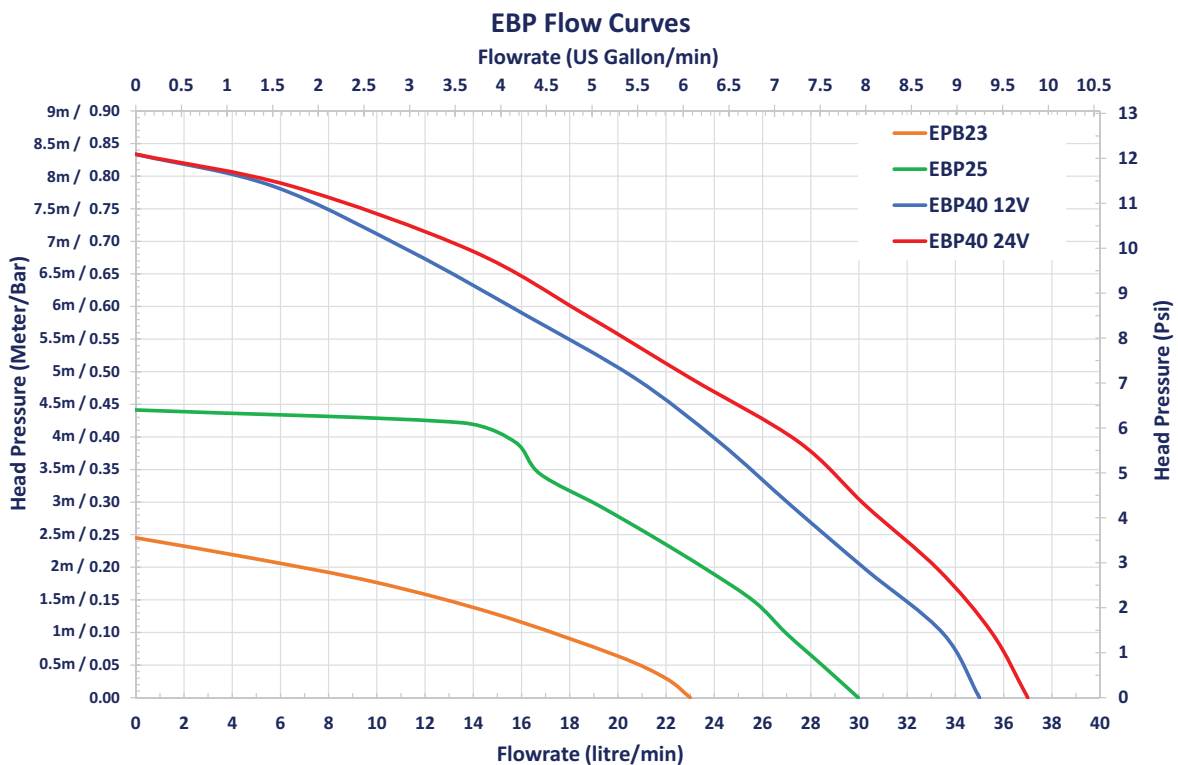
Electric Water Pumps

EBP® Selection Guide

Booster Pump Model		Max Flow Rate	Operating Voltage	Max. Current	Inlet & outlet Size	Page No.
EBP®40		35 l/min 9.25 US gal/min	12 Volt (6 V - 18 V DC)	4.5 Amps	19mm (3/4") Push on barb	16
		37 l/min 9.8 US gal/min	24 Volt (20 V - 27 DC)	2.5 Amps	19mm (3/4") Push on barb	
EBP®25		30.0 l/min (7.9 gal/min)	12 Volt (8 V - 20 V DC)	2.1 Amps	19mm (3/4") Push on barb	17
EBP®23		23 l/min 6 US gal/min	12 Volt (6 V - 18 V DC)	1.3 Amps	19mm (3/4") Push on barb	18

If your vehicle has a modified engine, we recommend including the next size up from the unit listed below.

Application	Pump Model	Pump Only Part Number		Pump Kit Part No.
		12 V	24 V	12 V
Motorbike up to 500cc (Standard)	EBP®23	#9051		#9050
Motorbike 500cc - 1000cc (Standard)	EBP®25	#9025		
Motorbike 1000cc - 2000cc (Standard)	EBP®40	#9040	#9041	
Vehicle Heater System (Standard)	EBP®23	#9051		#9050
LPG (Butane) System (Standard)	EBP®23	#9051		#9050
Intercooler (Depending on capacity)	EBP®23	#9051		#9051
	EBP®25	#9025		
	EBP®40	#9040	#9041	



Electric Water Pumps

EBP® 40 Electric Booster Pump

A high-performance brushless motor, magnetic-drive pump. Compact and versatile pump for a range of applications.

This high-performance 37 litre per minute, brushless, magnetically driven EBP® has drawn high acclaim globally for its diversity of applications. These include booster for car heater and LPG systems, solar and marine applications, water-cooled motorcycle, go-kart engines, Water To air intercoolers, caravans, motor homes and domestic irrigation.

The EBP®40 is available in 12 and 24 Volt.

Technical Specifications

	EBP®40	
	12 Volt Pump	24 Volt Pump
Operating voltage	6 V to 15 V DC	12 V to 28 V DC
Maximum current	4.6 Amps	2.5 Amps
Motor Type	Magnetic Drive Brushless	
Open Flowrate @ 0 kPa	35 l/min (9.2 gal/min)	37.0 l/min (9.8 gal/min)
Rated Flowrate @ 10 kPa	33 l/min (8.7 gal/min)	35.5 l/min (9.4 gal/min)
Maximum Head Pressure	0.85 Bar (12.32 psi)	
Maximum Head Height	8.5 m (27' 10.65")	
Fluid Temperatures	-40°c to 120°c (-40° F to 248° F)	
Pump Weight	570 grams (1.25 lbs.)	
Body Material	Polyphenylene sulphide (PPS) & Nylon 66	
Burst Pressure	250 kPa (36 psi)	
Inlet & Outlet	Push on Barb	
Hose Fitment	Standard	19 mm (3/4")
	With Step adapter #19020	12 mm to 16 mm (1/2" to 5/8")
Application Motorbike Engine Size	1000cc - 2000cc	
	61 ci - 122 ci	

Description	Part
EBP® 40 Electric Booster Pump - 12 Volt	#9040
EBP® 40 Electric Booster Pump - 24 Volt	#9041

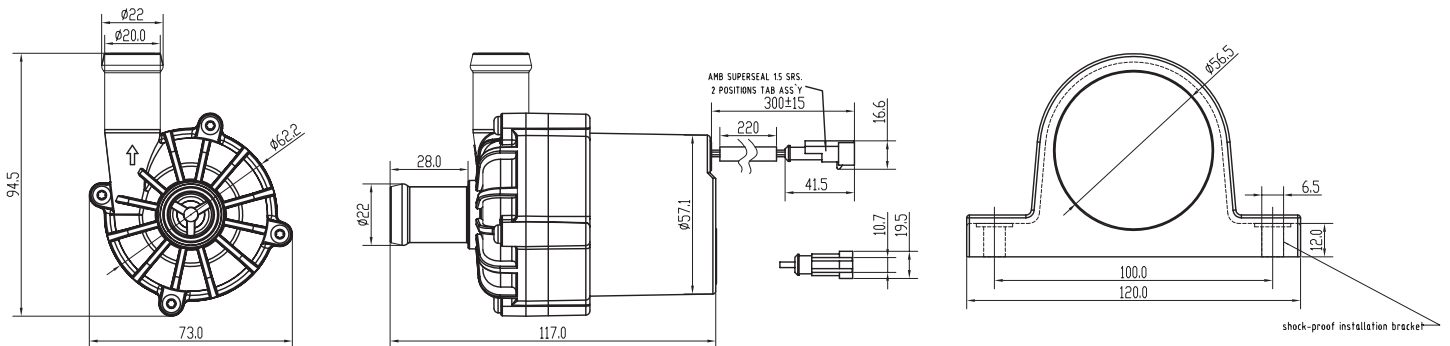


Accessories

Description	Part
EBP®15 plug adapter (EBP15 to EBP23,25,40)	#19513
EBP®25 plug adapter (Bosch EBP25 to EBP23,25,40)	#19520
Adapter, Stepped - suit EBP 12mm (1/2") to 19mm (3/4")	#19020

The EBP® is a recirculating pump which is ideal for a 'closed system' similar to an automotive cooling system; it is not self-priming'.

For optimum coolant flow control, use either of Davies, Craig Thematic Switches (#0400, #0444, #0445, #0448, #0435, #0438 or #0500). See Page 15 for Pressure vs Flow chart.



Electric Water Pumps

EBP® 25 Electric Booster Pump

A high-performance brushless motor, magnetic-drive pump. Compact and versatile 12V pump for a range of applications.

This high-performance 27 litre per minute, 12 Volt, brushless, magnetically driven EBP® has drawn high acclaim globally for its diversity of applications.

The many EBP® applications include use as a booster for car heater and LPG systems, solar and marine applications, water-cooled motorcycle, go-kart engines, Water To air intercoolers, caravans, motor homes and domestic irrigation.

Technical Specifications

		EBP®25 12 Volt Pump	
Operating voltage	8V to 20V DC		
Maximum current	2.1 Amps		
Motor Type	Magnetic Drive Brushless		
Open Flowrate @ 0 kPa	30 l/min (7.9 gal/min)		
Rated Flowrate @ 10 kPa	27.0 l/min (7.1 gal/min)		
Maximum Head Pressure	0.45 Bar (6.53 psi)		
Maximum Head Height	4.5m (14' 9.2")		
Fluid Temperatures	-40°c to 120°c (-40° F to 248° F)		
Pump Weight	650 grams (1.43lb) including mounting bracket		
Body Material	Polyphenylene sulphide (PPS)		
Burst Pressure	250 kPa (36 psi)		
Inlet & Outlet	Push on Barb		
Hose Fitment	Standard	19 mm (3/4")	
	With Step adapter #19020	12 mm to 16 mm (1/2" to 5/8")	
Application Motorbike Engine Size	500cc - 1000cc		
	30.5 ci - 61 ci		

Description	Part
EBP® 25 Electric Booster Pump - 12 Volt	#9125

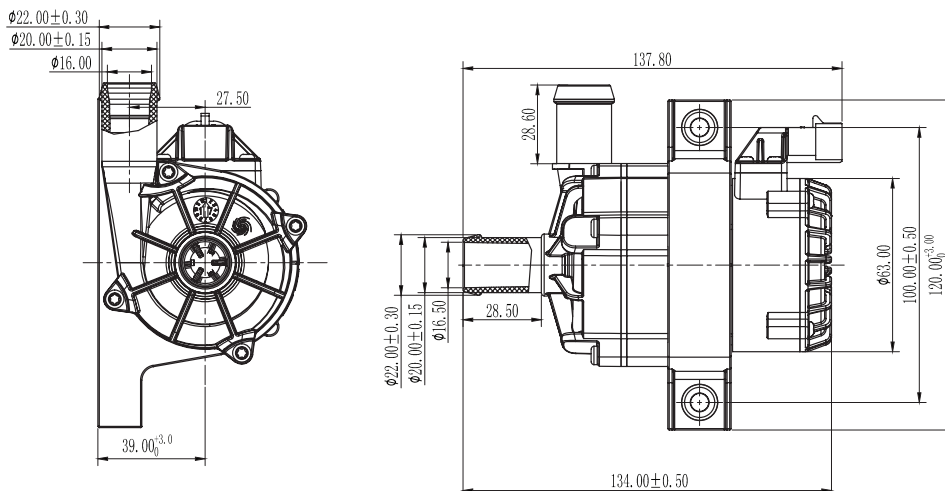


Accessories

Description	Part
EBP®15 plug adapter (EBP15 to EBP23,25,40)	#19513
EBP®25 plug adapter (Bosch EBP25 to EBP23,25,40)	#19520
Adapter, Stepped - suit EBP 12mm (1/2") to 19mm (3/4")	#19020

The EBP® is a recirculating pump which is ideal for a 'closed system' similar to an automotive cooling system; it is not self-priming'.

For optimum coolant flow control, use either of Davies, Craig Thematic Switches (#0400, #0444, #0445, #0448, #0435, #0438 or #0500). See Page 15 for Pressure vs Flow chart.



Electric Water Pumps

EBP® 23 Electric Booster Pump

A high-performance brushless motor, magnetic-drive pump. Compact and versatile 12V pump for a range of applications.

This high-performance 27 litre per minute, 12 Volt, brushless, magnetically driven EBP® has drawn high acclaim globally for its diversity of applications.

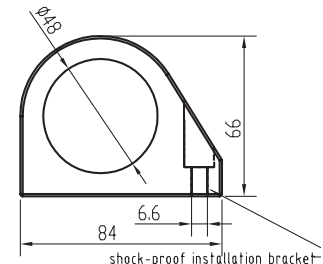
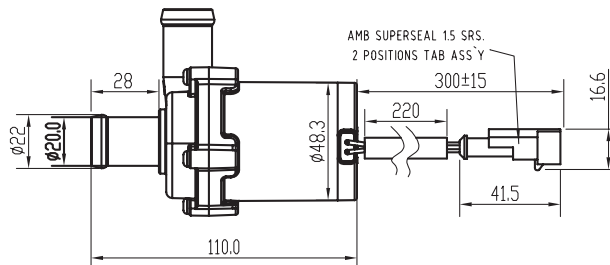
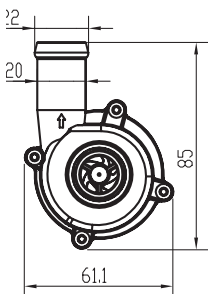
The many EBP® applications include use as a booster for car heater and LPG systems, solar and marine applications, water-cooled motorcycle, go-kart engines, Water To air intercoolers, caravans, motor homes and domestic irrigation.



Technical Specifications

	EBP®23 12 Volt Pump	
Operating voltage	6V to 18V DC	
Maximum current	1.25 Amps	
Motor Type	Magnetic Drive Brushless	
Open Flowrate @ 0 kPa	23 l/min (6.1 gal/min) @ 0 kPa	
Rated Flowrate @ 10 kPa	17.25l/min (4.6 gal/min) @ 10 kPa	
Maximum Head Pressure	0.25 Bar (3.63 psi)	
Maximum Head Height	2.5m (8' 2.4")	
Fluid Temperatures	-40°c to 120°c (-40°F to 248°F)	
Pump Weight	364 grams (0.8 lbs.)	
Body Material	Polyphenylene sulphide (PPS) & Nylon 66	
Burst Pressure	250 kPa (36 psi)	
Inlet & Outlet	Push on Barb	
Hose Fitment	Standard	19 mm (3/4")
	With Step adapter #19020	12 mm to 16 mm (1/2" to 5/8")
Application Motorbike Engine Size	Up to 500cc	
	Up to 30.5 ci	

For optimum coolant flow control, use either of the Davies, Craig Thematic Switches (#0400, #0444, #0445, #0448, #0435 #0438 or #0500). See page 22-23.



Description	Part
EBP® 23 Electric Booster Pump Kit - 12 Volt	#9050
EBP® 23 Electric Booster - 12 Volt (Pump & wiring Loom only)	#9051



EBP®23 - Electric Booster Pump Kit #9050 - Contents

Contents	Qty
EBP®23 - Electric Booster Pump	1
Mounting Bracket	1
EBP®23, 25, 40 wiring loom (AMP Plug)	1
Hose clamps	4
19mm (3/4") Heater Hose - 11cm Part #19512	2

Accessories

Description	Part
EBP®23, 25, 40 wiring loom (AMP Plug)	#19518
EBP®15 plug adapter (EBP®15 to EBP®23/25/40)	#19513
EBP®25 plug adapter (Bosch EBP®25 to EBP®23/25/40)	#19520
Adapter, Stepped - 12mm (1/2") to 19mm (3/4")	#19020

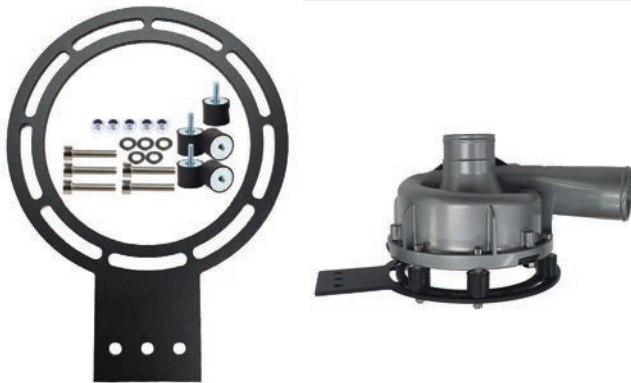
Electric Water Pump Accessories

EWP® Mounting Plate

The EWP® Mounting Plate offers a discrete, lightweight and space-saving mounting solution for the remote-mounted EWP®115 Alloy, EWP®130, EWP®140 & EWP®150 Alloy models.

This beautifully finished, black anodised aluminium plate offers superior mounting flexibility and adaptability greatly assisting with a preferred soft-mounting solution for the EWP® by providing rubber 'cotton reel style' dampeners, isolating the pump from vibration.

Description	Part
EWP® Mounting Plate suits 115-130-150	#8710
5 x M4 x 25mm (1") Bolts required for Alloy EWP®115	#8711



Temperature Sensor Adapter Kit

These In-line Adapter Kits allow for simple installation of the Temperature Sensor Probe directly into a top radiator hose.

Two Temperature Sensor In-line Adapter sizes - 35mm (1-3/8") or 38mm (1-1/2") to suit equivalent ID radiator hoses.

Suits Temperature Sensors with either a 5mm or a 6mm outside diameter and Thermal Temperature Sender units with 1/4" NPT thread.

This Kit is for use with #0401, #0404, #0444, #0445 and #0500 Thematic® Switches

Description	Part
Temperature Sensor In-line Adapter Kit - 35mm (13/8")	#0409
Temperature Sensor In-line Adapter Kit - 38mm (1-1/2")	#0408
Compression Fitting 1/4" NPT #0400, #0404, #0444, #0455	#0418



EWP® Mounting Bracket

The Davies Craig EWP® Mounting Bracket can be used with the EWP®150, EWP®130, EWP®140 and EWP®115 (both nylon and alloy versions).

The Mounting bracket offers greater flexibility and assists with the hard mounting of the EWP® to the engine bay by providing a rubber dampener to minimize vibration.

Description	Part
EWP® Mounting Bracket suits EWP®115/130/150	#8700



EWP® 90° Swivel Elbow Adapter

The Davies Craig Alloy 90° Elbow Adapter is ideal for installation to both the inlet or outlet of either EWP®115, EWP®140 & EWP®150 Alloy Pumps. This Adapter offers more location options when installing a Craig Electric Water Pump. Simply screws into the 16AN inlet or outlet of your alloy EWP® for more flexible installation.

Description	Part
EWP® 90° Swivel Elbow Adapter Fitting: 16AN ORB to 38mm (1-1/2") Hose Barb	#1024



Electric Water Pump Accessories

EWP® / EBP® Adaptors

Description	Part
16AN ORB to 19mm (3/4") Hose Barb Alloy Fitting	#1021
16AN ORB to 25mm (1") Hose Barb Alloy Fitting	#1023
EWP® Alloy Flange Adapter - Male -16AN	#1025
EWP® Alloy Flange Adapter- 25mm (1") Straight Hose Barb	#1027
EWP® Alloy Flange Adapter - 19mm (3/4") Straight Hose Barb	#1028
EWP® Alloy Adapter Fitting -16AN to 1" NPT	#1129
EWP® Alloy 90° Elbow Flange Adapter: 38mm (1-1/2") Hose Barb, Female 16AN ORB	#8303
EWP® Alloy Flange Adapter - 38mm (1-1/2") Straight Hose Barb Female 16AN ORB	#8304
EWP® Nylon Flange Adapter - 35mm (1-3/8") Straight Hose Barb	#8307
EWP® Nylon 90° Elbow Flange Adapter: 35mm (1-3/8") Hose Barb	#8309
Adapter - Nylon - In Line, 38mm (1-1/2") 2 x 1/4" NPT Ports	#0416
Bung - Nylon - 1/4" NPT	#10419
Adapter - Stepped - 12mm (1/2"), 15mm (19/32") 19mm (3/4")	#19020
Adapter - Rubber Sleeve - 3mm (1/8")	#18510
Adapter - Rubber Sleeve - 6mm (1/4")	#18511
Radiator Hose – Rubber, 90° Elbow 38mm (1-1/2") ID	#8505
EWP® Adapter O-Ring	#18509



EWP® Relay Wiring Kit

Description	Part
EWP® - Relay Wiring Kit 12 V	#8520
EWP® Relay Wiring Kit 24 V	#8521

EWP® Air Bleed Adapter Kit

Description	Part
Air bleed Adapter Kit - 35mm OD (1-3/8") Nylon/Glass	#0415
Air bleed Adapter Kit - 38mm OD (1-1/2") Nylon/Glass	#0417
Air Bleed Fitting – 1/4" NPT	#10412



In-line Sensor Adapter - 1/4" NPT Bung

Description	Part
Inline Adapter, 35mm (1-3/8") 2 x 1/4" NPT Ports, 1 x Bung	#0419
Inline Adapter, 38mm (1-1/2") 2 x 1/4" NPT Ports, 1 x Bung	#0416



EWP® Heater Return Adapter Kit

Description	Part
EWP® - Heater Return Adapter Kit 38mm (1-1/2") OD 19mm (3/4") Outlet	#8315



EWP® Relay Wiring Kit

Description	Part
EWP® Relay Wiring Kit 12 V	#8520
EWP® Relay Wiring Kit 24 V	#8521

EWP® Flange Fitting Bolt Package

Description	Part
EWP®80 Bolts, Nuts M5 x 12	#8905
EWP®130/140 Bolts, Nuts M5 x16	#8906

Thermatic® Fan Switch Selection

Specifications	Part #0401	Part #0444	Part #0445	Part #0448	Part #0435	Part #0438	Part #0500	
Operating Voltage	12 & 24 Volt	12 & 24 Volt	12 & 24 Volt	12 & 24 Volt	12 & 24 Volt	12 & 24 Volt	12 & 24 Volt	
Maximum Current	20 Amps	40 Amps	40 Amps	40 Amps	40 Amps	40 Amps	40 Amps	
Switch Type	Mechanical	Digital	Digital	Digital	Digital	Digital	Digital	
Fault Detection	NA	✓	✓	✓	✓	✓	✓	
Mounting Position	Engine bay	Engine bay	Engine bay	Engine bay	Engine bay	Engine bay	Vehicle cabin	
Single Fan Control	✓	✓	✓	✓	✓	✓	✓	
Dual Fan Control	Wiring Dependant	✓	✓	✓	✓	✓	✓	
EWP® Control	ON / OFF Only (Use 8002)	ON / OFF Only (Use 8002)	ON / OFF Only (Use 8002)	ON / OFF Only (Use 8002)	ON / OFF Only (Use 8002)	ON / OFF Only (Use 8002)	ON / OFF Only (Use 8002)	
EBP® Control	ON / OFF Only	ON / OFF Only	ON / OFF Only	ON / OFF Only	ON / OFF Only	ON / OFF Only	ON / OFF Only	
Dual Fan Start-Up Delay	No Delay	10 Seconds	10 Seconds	10 Seconds	10 Seconds	10 Seconds	Independent set Temperature	
Temperature Sensor Type	Capillary Probe	Thermal Sensor Probe	1/4" NPT Thermal Sensor	1/8" NPT Thermal Sensor	1/4" NPT Thermal Sensor With 35mm inline adapter	1/4" NPT Thermal Sensor With 38mm inline adapter	Thermal Sensor Probe	
Radiator Core Temperature Detection	Not Recommended	✓	✓	✓	✓	✓	✓	
In Coolant Temperature Detection	40°C To 100°C 104°F To 212°F	✓	✓	✓	✓	✓	Accessories Required	
Temperature Setting Range	40°C To 100°C 104°F To 212°F	Push Button	40°C To 110°C 104°F To 230°F	40°C To 110°C 104°F To 230°F	40°C To 110°C 104°F To 230°F	40°C To 110°C 104°F To 230°F	5°C To 110°C 41°F To 230°F	
Temperature Setting Method	Turn Knob	Push Button	Push Button	Push Button	Push Button	Push Button	Push Button	
Temperature Display	N/A	✓	✓	✓	✓	✓	✓	
Switch Units Between °C And °F	N/A	✓	✓	✓	✓	✓	✓	
Ac/ Manual Override	Use #0404	✓	✓	✓	✓	✓	Selectable Fan Override	
Manual Override Turn Off	Possible with additional switches and wiring (NOT Supplied)							✓

Digital Thermatic® Switch

The Digital Thermatic® Switch can measure either radiator core or coolant temperature to automatically activate single or twin fans at your set temperature to provide extra cooling when required.

With dual 40 Amp relays, the switch provides dual fan activation up to 30 Amps per fan with a temperature setting range of 40 °C to 110 °C (104 ° to 230 °F). Equipped with a replaceable Temperature Sensor Probe that can be upgraded to a 1/4" NPT or 1/8" NPT Thermal Sensor. (Parts listed below).

- Push-button scrolling 40 °C (104 °F) to 110 °C (230 °F) temperature range
- Can operate an Electric Water Pump as an auxiliary to the existing mechanical water pump
- Simple DIY installation

Note: For top radiator hose installation of the Temperature Sensor Probe Part #0409 is required or use Part #0418 Compression Fitting to install into a 1/4" NPT port.

For 24-Volt electrical systems, 2 x 24 Volt relays will be required. (Sold separately - #10534)

Digital Thermatic® Fan Switch - options

Description	Part
Digital Thermatic® Fan Switch with 1/4" NPT Thermal Sensor Kit	#0445
Digital Thermatic® Fan Switch with 1/8" NPT Thermal Sensor Kit	#0448
Digital Thermatic® Fan Switch with 1/4" NPT Sensor & 35mm (1-3/8") Inline Adapter Kit	#0435
Digital Thermatic® Fan Switch with 1/4" NPT Sensor & 38mm (1-1/2") Inline Adapter Kit	#0438

Digital Thermatic® Fan Switch - accessories

Description	Part
1/4" NPT Thermal Sensor Upgrade Kit Suits Digital Thermatic® Fan Switches	#0465
1/8" NPT Thermal Sensor Upgrade Kit Suits Digital Thermatic® Fan Switches	#0468
Replacement Thermal Sensor Probe	#10460
Replacement Connector Harness For 1/4" NPT Thermal Sensor	#10465
Sensor Thermal - coolant temp - 1/4" NPT thread	#18415
Sensor Thermal - coolant temp - 1/8" NPT thread	#18418
Temperature Sensor Inline Adapter Kit 38mm	#0408
Temperature Sensor Inline Adapter Kit 35mm	#0409
35mm (1-3/8") Inline Adapter with 2 x 1/4" NPT & 1 x Bung	#0419
38mm (1-1/2") Inline Adapter with 2 x 1/4" NPT & 1 x Bung	#0416

Description	Part
Digital Thermatic® Fan Switch Kit - 12 & 24 Volt	#0444



Digital Gauge Thermatic® Fan/EWP® Switch

The Digital Gauge Thermatic® Fan/EWP® Switch automatically activates single or twin electric fans or an auxiliary Electric Water Pump at your set temperature when extra cooling is required.

Equipped with a replaceable temperature Sensor Probe that can also be upgraded to a 1/4" NPT or 1/8" NPT temperature sensor for coolant temperature measurement.

52mm digital temperature gauge design, for easy mounting on the dashboard or gauge pods.

Description	Part
Digital Gauge Thermatic® Fan/EWP® Switch	#0500

- 5 °C (41 °F) to 110 °C (230 °F) temperature range
- Independent set temperatures for fan 1 & fan 2.
- Configurable A/C override to active Fan 1, Fan 2 or both fans.
- Manual Fan shutdown function
- Built in over set/targeted temperature audible alarm.
- Simple DIY installation



Mechanical Thermatic® Fan Switch

The Mechanical Thermatic® Fan Switch is adjustable from 40° to 100 °C (104 ° to 212 °F).

The Thermatic® Fan Switch is mounted near the radiator and the stainless steel probe fitted inside the radiator hose.

The Thermatic® Fan Switch is then connected to the ignition circuit for operation.

Description	Part
Thermatic® Fan Switch (Mechanical) Kit - 12 & 24 V	#0401
Thermatic® Fan Switch (Mechanical) + Relay - suit Air Con	#0404
Thermatic® Fan Switch (Mechanical) Combo 12 & 24 V	#0400



Low-Level Coolant Alarm Kit

The Low-Level Coolant Alarm Kit will monitor the engine's coolant level and will immediately identify low coolant should this situation develop.

This Kit is equipped with a loud audible alarm and a bright red LED light illuminates to help prevent an over-heating engine and significant engine failure. The Kit's in-line adaptor is simply installed into the engine's top radiator hose and the module mounted in the driving compartment. The vehicle's simple temperature gauge will not alert the driver to this event and the addition of a Davies Craig Low-Level Coolant Alarm Kit adds security to assist monitor your engine's coolant level.

Description	Part
Low-Level Coolant Alarm Kit	#1035



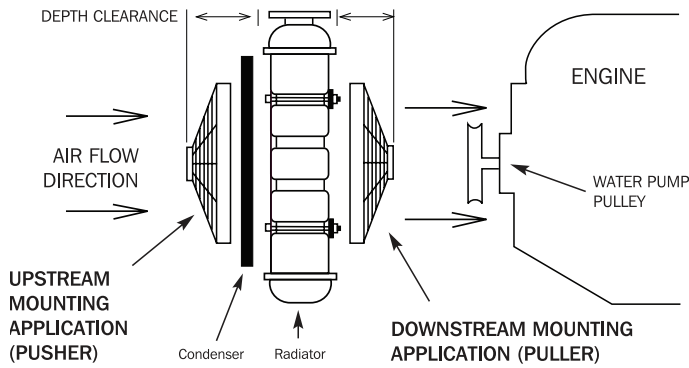
Optional In-line Adaptor

Description	Part
Sensor, Low Coolant, Replacement	#11034

Thermatic® Electric Fans

An automotive electric fan offers a more efficient, energy-saving alternative over a clutch fan or belt-driven mechanical fan. Considered a step-up, Thermatic® Electric Fans are lighter, release parasitic power from the vehicle's engine by eliminating a spinning clutch fan and/or a belt-driven mechanical fan.

Davies Craig automotive Thermatic® Electric Fans operate totally independently and can be activated by an adjustable Thermatic® Fan Switch to engage at an engine's thermostat temperature opening for maximum cooling efficiency.



Thermatic® Electric Fan Selection Guide

To assist you with the correct choice of a Davies Craig Thermatic® Electric Fan we have developed an automated Fan Selection Guide on our website. The Fan selection guide will automatically provide a fan or combination of fans that will fit on your chosen radiator to provide the highest possible airflow (CFM).

Find the **Fan Selection Guide** here: daviescraig.com.au/fan-fits

Questions? Please see "FAQ under the SUPPORT menu tab" on our website: www.daviescraig.com.au

What size Thermatic® Electric Fan do I require?

The Fan Selection Guide offers two different methods to determine the most appropriate fan/s for your specific vehicle or radiator.

Option 1: By Vehicle Information

Enter/Search for your Vehicle's make and model. This will give you 2 different size recommendations.

The first fan recommendation is the maximum airflow possible for your factory radiator dimensions. The second Options provided is a lower profile fan.

Before making your final decision, please check the available depth, the space between the back of your vehicle's radiator and the engine block to ensure the Fan/s are suitable.

Options 2: By Dimensions of your Radiator Core

Start by measuring your radiator cores, height, width and the clearance between the Radiator and the engine block or front bumper.

Enter the relevant measurements (in millimetres) into the below boxes of the **Fan Selection Guide**:

- Width
- Height
- Clearance/Depth
- Voltage

The Fan Selection Guide will then provide you with a best fan or combination of fans that will offer the highest possible airflow for your specific radiator and the amount of space available.

Don't short-change your engine's cooling system. Short term gain could develop into long term pain as your engine cooling components are the most vital parts of your cooling system.

Davies Craig Thermatic® Electric Fans are proven leaders in the automotive and air-conditioning fields.

As a primary cooling source electric Thermatic fans provide:

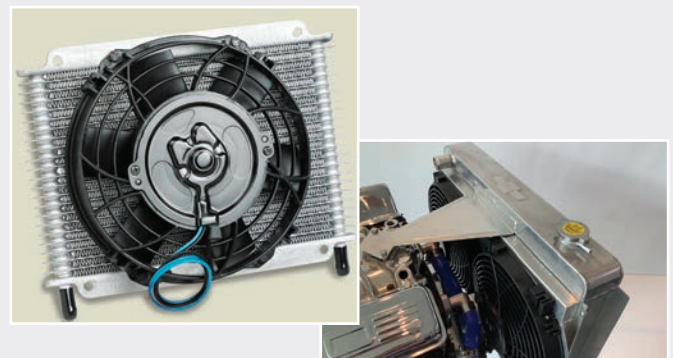
- ⊕ Economical replacement for failed original equipment fan.
- ⊕ Approx. 5-10% increase in engine power and fuel saving when replacing fan clutch and belt-driven fan.
- ⊕ Reversible blades for pusher (upstream) or puller (downstream) applications
- ⊕ Compatibility with all electric fan controls
- ⊕ Coverage for a wide variety of automotive and air-conditioning applications
- ⊕ As an add-on cooling source electric fans provide:
- ⊕ Constant air flow regardless of vehicle speed constant air flow across the condenser
- ⊕ Increased air conditioning performance due to constant air flow across the condenser
- ⊕ With the conversion from R12 to R-134A refrigerant there is a need for additional condenser cooling to ensure the overall improved efficiency of the cooling system
- ⊕ All Davies Craig electric Thermatic fans are supplied with fitting instructions and mounting feet for easy installation

Straight vs. Curved Fan Blades – Dispelling the Myth!

Davies, Craig conducted extensive research to formulate the design of fans in which several design types including curved blades with and without a ring were considered.

Curved blades generated less noise but at the expense of a significant loss in performance caused by curved blades stalling at a lower static pressure than straight blades.

Further details, go to www.daviescraig.com.au



Thermatic® Electric Fans

The continued influx of SUVs, the downsizing of passenger motor vehicles and the global pressure on car manufacturers to reduce fuel consumption has led to the rapid growth in the use of Thermatic® Electric Fans.

An efficient, economical method of automotive cooling, electric fans, along with electric water pumps are ranked as the fastest growing segments within the 'Cooling Systems Technology' groups around the world today. Davies, Craig Thermatic® Electric Fans can provide a variety of benefits as a primary or secondary engine cooling source.

Davies, Craig Thermatic® Electric Fans are suitable for both condenser

(air conditioning) and radiator (engine) cooling, Thermatic® Electric Fans are one of the most important cooling components on any vehicle.

Reversible Thermatic® Electric Fans

All Davies, Craig Thermatic® Electric Fans, come with a reversible blade and for mounting either side of the heat exchanger. (Except 11" Brushless Fan #0120).

All Davies Craig fans are built in Upstream (Pusher) configuration. For downstream (Puller) applications the fan blade must be removed and turned over, always check that the fan blade rotates in the direction shown by the arrows on the blade for maximum performance.

Thermatic® Electric Fan Summary

12 Volt Fans	Part No	Airflow	Max. Current	Weight	Height mm (inch)	Width mm (inch)	Depth mm (inch)	Page
8" Thermatic® Electric Fan	#0135	400 CFM 680 m³/h	5.0 A	0.88 kg 1.9 lb	213 (8.4")	211 (8.3")	56 (2.2")	30
9" Thermatic® Electric Fan	#0160	591 CFM 1004 m³/h	6.5 A	0.93 kg 2 lb	242 (9.5")	268 (10.5)	55 (2.1")	30
10" Slimline Thermatic® Electric Fan	#0147	696 CFM 1182 m³/h	7.0A	1.13 kg 2.5 lb	278 (10.9")	275 (10.8")	50 (2")	29
10" High Power Thermatic® Electric Fan	#0150	1000 CFM 1699 m³/h	19.0 A	1.85 kg 4.1 lb	278 (10.9")	275 (10.8")	84 (3.3")	29
12" Thermatic® Electric Fan	#0162	847 CFM 1439 m³/h	9.0 A	1.45 kg 3.2 lb	293 (11.5")	293 (11.5")	51 (2")	28
12" High Power Thermatic® Electric Fan	#0155	1250 CFM 2124 m³/h	22.0 A	1.90 kg 4.2 lb	293 (11.5")	293 (11.5")	86 (3.2")	28
14" Slimline Thermatic® Electric Fan	#0164	1021 CFM 1735 m³/h	11.0 A	1.5 kg 3.3 lb	350 (13.5")	348 (13.7")	76 (3")	27
14" Hi-Power Thermatic® Electric Fan	#0107	1500 CFM 2548 m³/h	13.0 A	2.5 kg 5.5 lb	350 (13.8")	348 (13.7")	94 (3.7")	27
16" Thermatic® Electric Fan	#0166	2120 CFM 3602 m³/h	19.0 A	3.0 kg 6.6 lb	400 (15.7")	424 (16.7")	100 (3.9")	26
24 Volt Fans								
8" Thermatic® Electric Fan	#0136	400 CFM 680 m³/h	2.4 A	0.88 kg 1.9 lb	213 (8.4")	211 (8.3")	52	30
9" Thermatic® Electric Fan	#0161	591 CFM 1004 m³/h	3.25 A	0.93 kg 2 lb	242 (9.5")	268 (10.5")	55	30
10" Slimline Thermatic® Electric Fan	#0148	696 CFM 1182 m³/h	3.5 A	1.13 kg 2.5 lb	278 (10.9")	275 (10.8")	50	29
10" High Power Thermatic® Electric Fan	#0151	1000 CFM 1699 m³/h	10.0 A	1.85 kg 4.2 lb	278 (10.9")	275 (10.8")	84	29
12" Thermatic® Electric Fan	#0163	847 CFM 1439 m³/h	4.5 A	1.45 kg 3.2 lb	293 (11.3")	293 (11.3")	51	28
12" High Power Thermatic® Electric Fan	#0156	1250 CFM 2124 m³/h	12.0A	1.90 kg 4.2 lb	293 (11.3)	293 (11.3")	86	28
14" Slimline Thermatic® Electric Fan	#0165	1021 CFM 1735 m³/h	5.5 A	1.5 kg 3.3 lb	350 (13.5")	348 (13.7")	76	27
14" High Power Thermatic® Electric Fan	#0108	1500 CFM 2548 m³/h	6.5 A	2.5 kg 5.5 lb	350 (13.5")	348 (13.7")	94	27
16" Thermatic® Electric Fan	#0172	2120 CFM 3602 m³/h	9.5 A	3.0 kg 6.6 lb	400 (15.7")	424 (16.7")	100	26

Unless otherwise specified: - FANS INCLUDE fan assembly (motor, fan blade, shroud, and mounting feet) and instruction sheet.

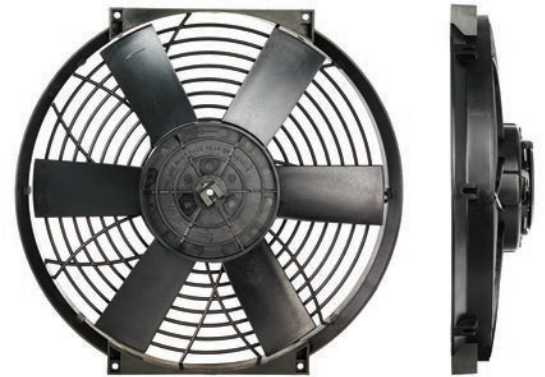
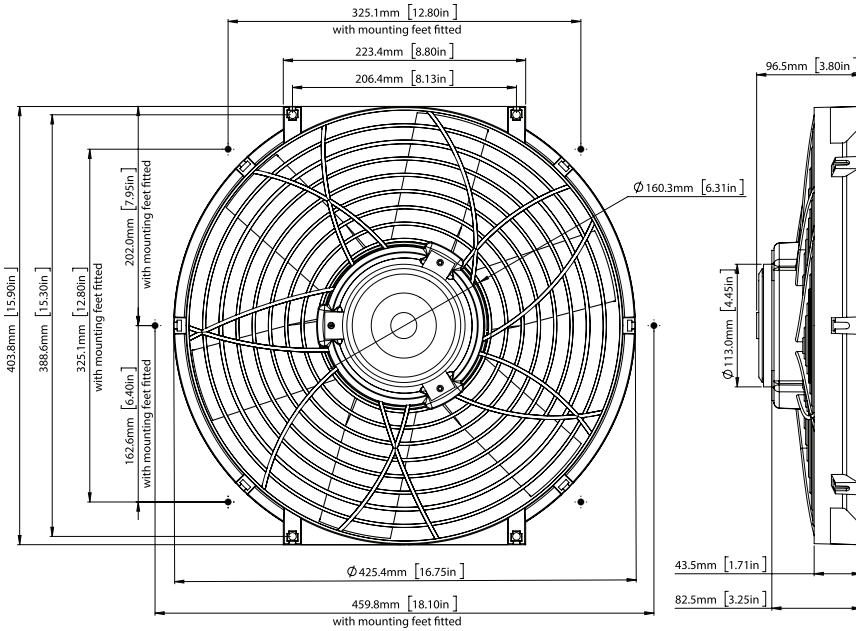
Thermatic® Electric Fans

16" Thermatic® Electric Fan

Description	Part
16" Thermatic® Electric Fan - 12 Volt	#0166
16" Thermatic® Electric Fan - 24 Volt	#0172

Specifications

Airflow	2120 CFM (ft ³ /min) 3602 m ³ /h	
Maximum current	19 Amps (12 Volt)	9.5 Amps (24 Volt)
Weight	3.0 kg (6.6 lb)	



Universal Single and Dual Fan Mounting Kit

Description	Part
Universal Single Fan Mounting Kit - 12 Volt	#1000
Universal Dual Fan Mounting Kit - 12 Volt	#1002
Universal Single Fan Mounting Kit - 24 Volt	#1001
Universal Dual Fan Mounting Kit - 24 Volt	#1003



Universal Fan Mounting Hardware

Description	Part
Hardware - Mounting Fan Trans Cool 4 x 70mm bolts	#0578
Quick Fit Kit - suit Fans Trans Coolers	#0579



Fan Mounting Feet

Description	Part
Fan Mounting Feet x 4 (Supplied with each Fan)	#0500

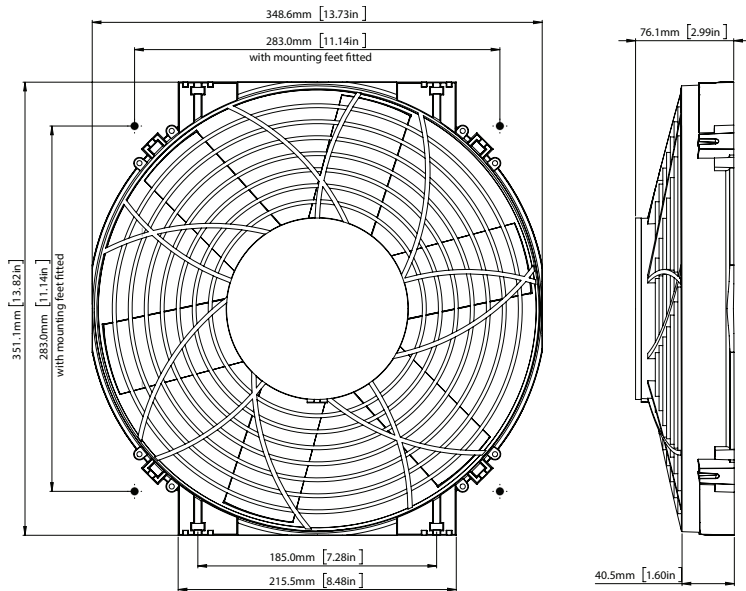


14" Slimline Thermatic® Electric Fan

Description	Part
14" Slimline Thermatic® Electric Fan - 12 Volt	#0164
14" Slimline Thermatic® Electric Fan - 24 Volt	#0165

Specifications

Airflow	1021 CFM (ft ³ /min) 1735 m ³ /h	
Maximum current	11 Amps (12 Volt)	5.5 Amps (24 Volt)
Weight	1.5 kg (3.3 lb)	

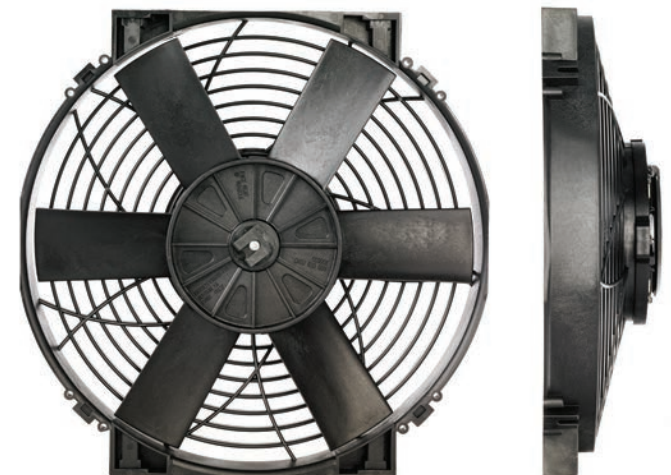
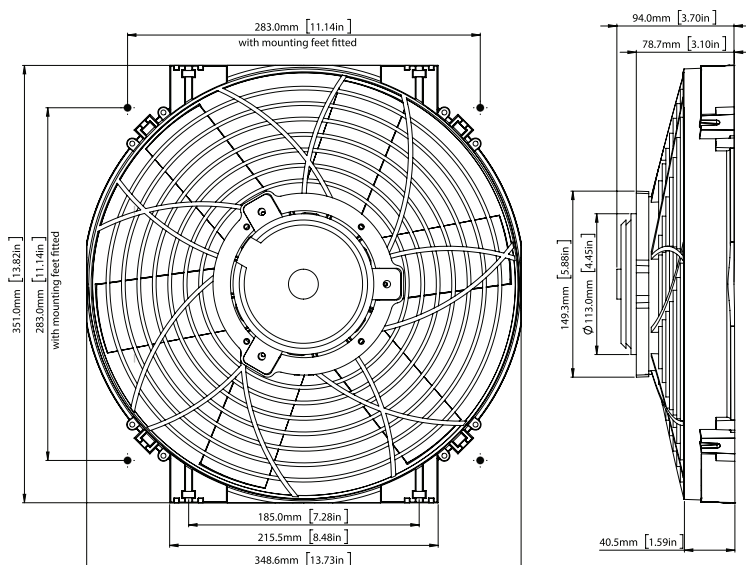


14" High Power Thermatic® Electric Fan

Description	Part
14" High Powered Thermatic® Electric Fan - 12 Volt	#0107
14" High Powered Thermatic® Electric Fan - 24 Volt	#0108

Specifications

Airflow	1500 CFM (ft ³ /min) 2548 m ³ /h	
Maximum current	13 Amps (12 Volt)	6.5 Amps (24 Volt)
Weight	2.5 kg (5.5 lb)	

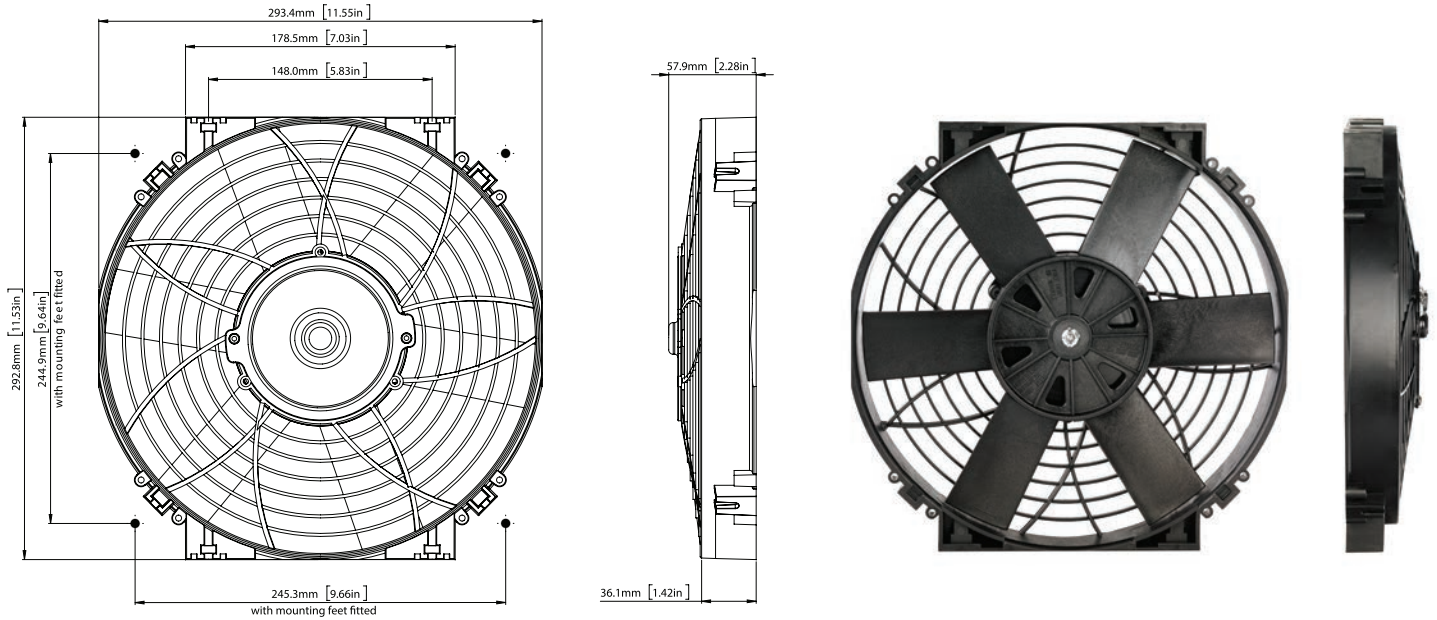


12" Thermatic® Electric Fan

Description	Part
12" Thermatic® Electric Fan - 12 Volt	#0162
12" Thermatic® Electric Fan - 24 Volt	#0163

Specifications

Airflow	847 CFM (ft ³ /min) 1439 m ³ /h	
Maximum current	9 Amps (12 Volt)	4.5 Amps (24 Volt)
Weight	1.45 kg (3.2 lb)	

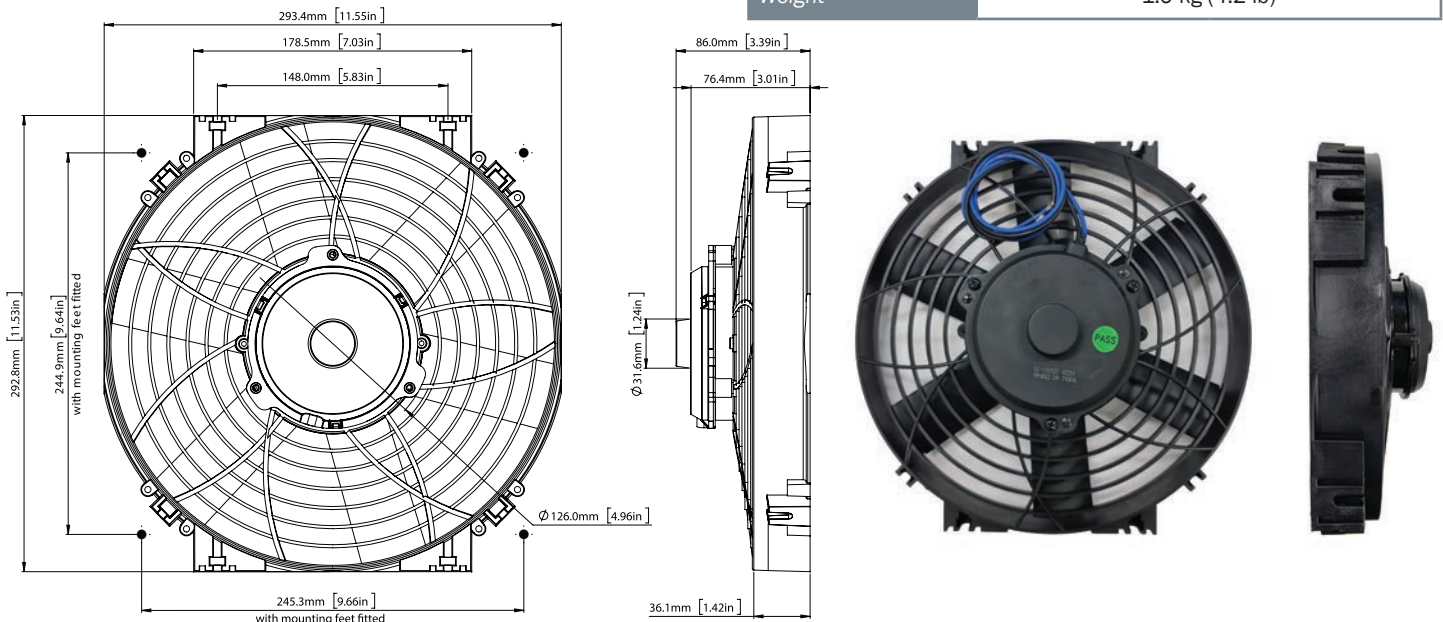


12" High Power Thermatic® Electric Fan

Description	Part
12" High Power Thermatic® Electric Fan - 12 Volt	#0155
12" High Power Thermatic® Electric Fan - 24 Volt	#0156

Specifications

Airflow	1250 CFM (ft ³ /min) 2124 m ³ /h	
Maximum current	22 Amps (12 Volt)	12 Amps (24 Volt)
Weight	1.9 kg (4.2 lb)	



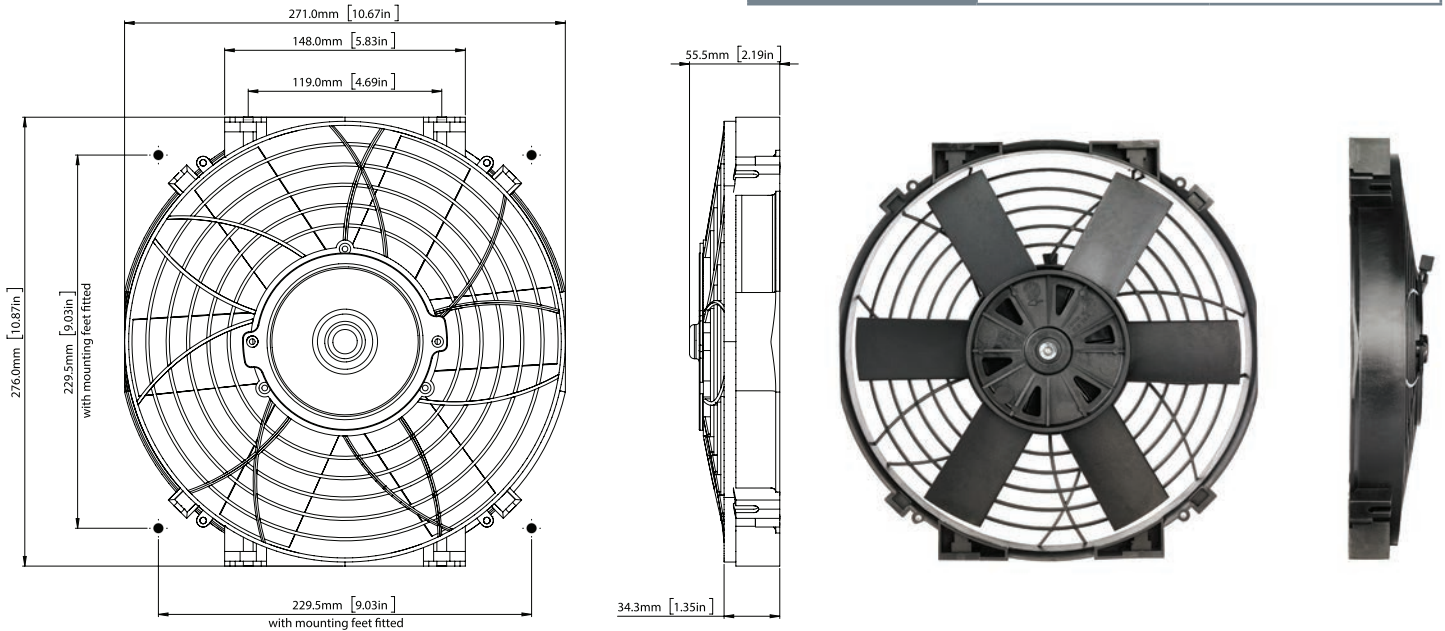
Thermatic® Electric Fans

10" Slimline Thermatic® Electric Fan

Description	Part
10" Slimline Thermatic® Electric Fan - 12 Volt	#0147
10" Slimline Thermatic® Electric Fan - 24 Volt	#0148

Specifications

Airflow	696 CFM (ft ³ /min) 1132 m ³ /h	
Maximum current	7 Amps (12 Volt)	3.5 Amps (24 Volt)
Weight	1.13 kg (2.5 lb)	

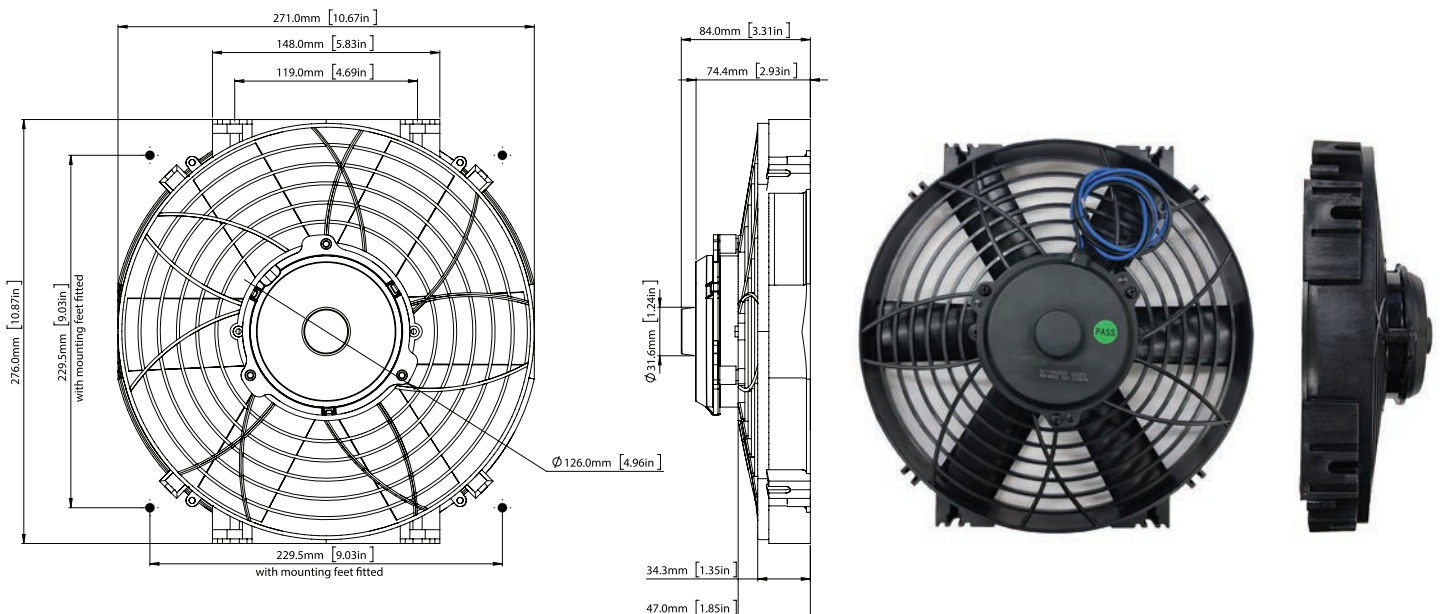


10" High Power Thermatic® Electric Fan

Description	Part
10" High Power Thermatic® Electric Fan - 12 Volt	#0150
10" High Power Thermatic® Electric Fan - 24 Volt	#0151

Specifications

Airflow	1000 CFM (ft ³ /min) 1699 m ³ /h	
Maximum current	19 Amps (12 Volt)	10 Amps (24 Volt)
Weight	1.85 kg (4.1 lb)	



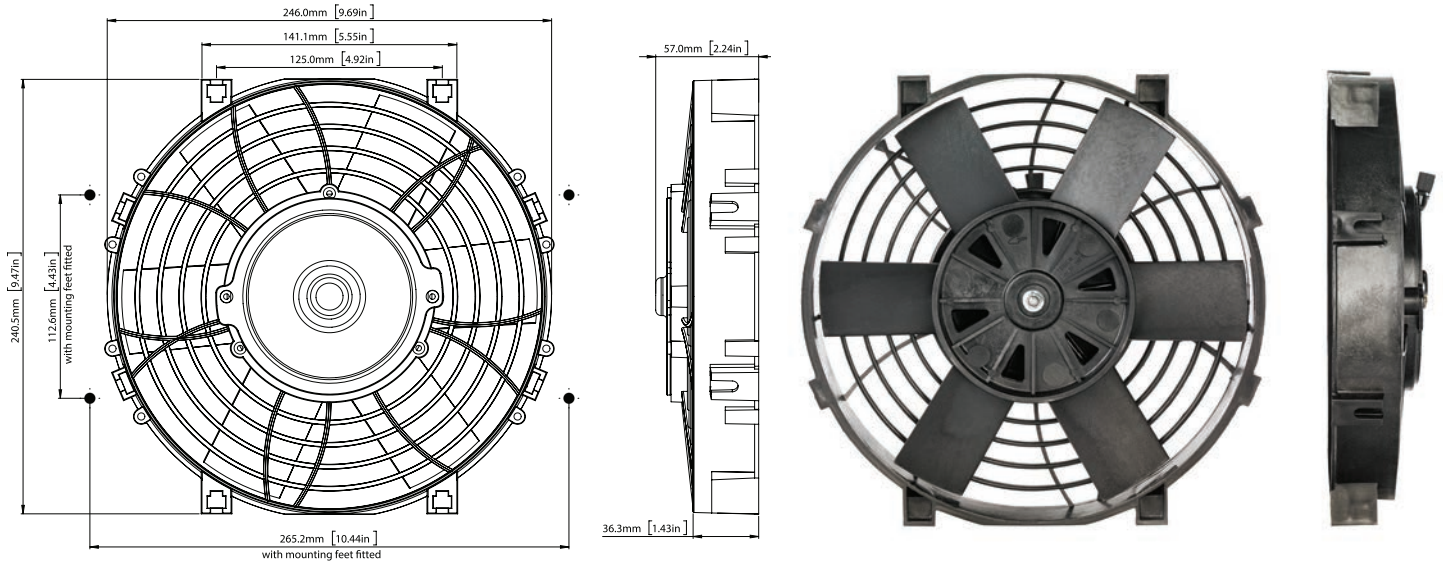
Thermatic® Electric Fans

9" Thermatic® Electric Fan

Description	Part
9" Thermatic® Electric Fan - 12 Volt	#0160
9" Thermatic® Electric Fan - 24 Volt	#0161

Specifications

Airflow	591 CFM (ft ³ /min) 1004 m ³ /h	
Maximum current	6.5 Amps (12 Volt)	3.25 Amps (24 Volt)
Weight	0.93 kg (2.0 lb)	

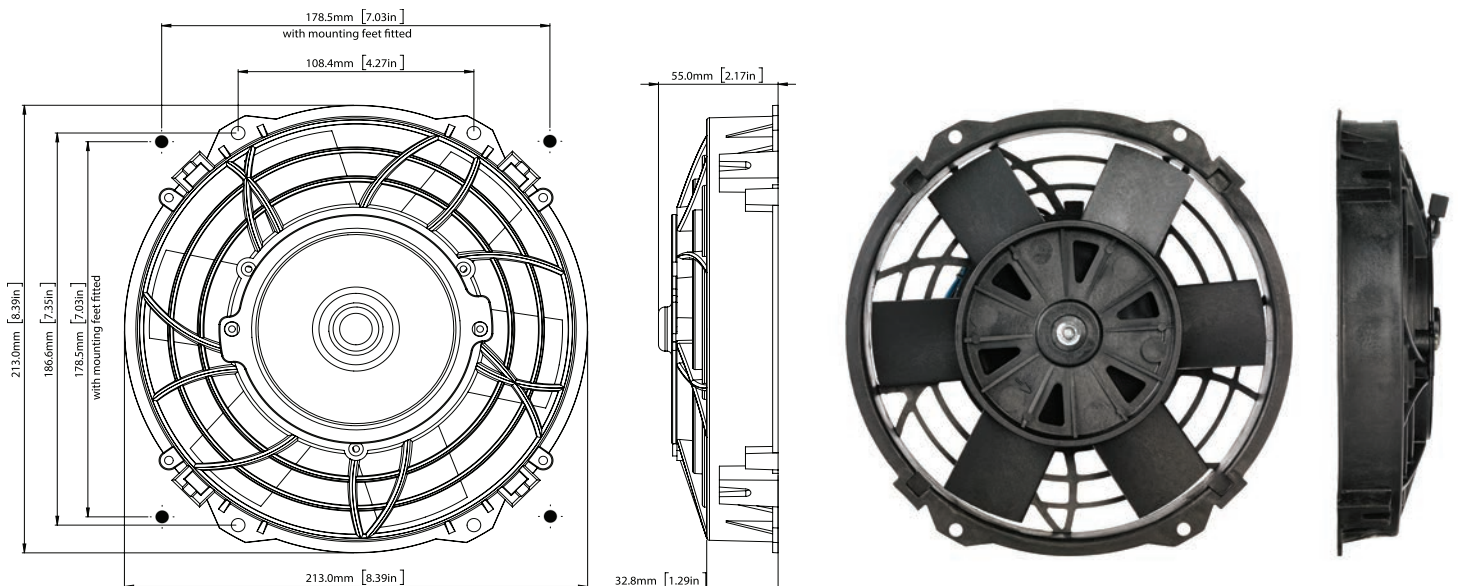


8" Thermatic® Electric Fan

Description	Part
8" Thermatic® Electric Fan - 12 Volt	#0135
8" Thermatic® Electric Fan - 24 Volt	#0136

Specifications

Airflow	400 CFM (ft ³ /min) 680 m ³ /h	
Maximum current	5 Amps (12 Volt)	2.4 Amps (24 Volt)
Weight	0.88 kg (1.9 lb)	



Thermatic® Electric Fan Accessories

Digital Thermatic® Fan Switches

Description	Part
Digital Thermatic® Fan Switch Kit	#0444
Digital Thermatic® Fan Switch with 1/4" NPT Thermal Sensor Kit	#0445
Digital Thermatic® Fan Switch with 1/8" NPT Thermal Sensor Kit	#0448
Digital Thermatic® Fan Switch with 1/4" NPT Sensor & 35mm (1-3/8") Inline Adapter Kit	#0435
Digital Thermatic® Fan Switch with 1/4" NPT Sensor & 38mm (1-1/2") Inline Adapter Kit	#0438

Digital Thermatic® Switches Accessories

Description	Part
1/4" NPT Thermal Sensor Upgrade Kit Suits Digital Thermatic® Fan Switches	#0465
1/8" NPT Thermal Sensor Upgrade Kit Suits Digital Thermatic® Fan Switches	#0468
Replacement Connector Harness For 1/4" NPT Thermal Sensor	#10465
Replacement Thermal Sensor Probe	#10460
Sensor Thermal - coolant temp - 1/4" NPT thread	#18415
Sensor Thermal - coolant temp - 1/8" NPT thread	#18418
Transmission Temperature Sensor Adapter Kit Suits 3/8" Hose & 1/4" NPT sensors	#1007



Mechanical Thermatic® Fan Switches

Description	Part
Thermatic® Fan Switch (Mechanical) Kit - 12 & 24v	#0401
Thermatic® Fan Switch (Mechanical) + Relay -suit Air Con	#0404
Thermatic® Fan Switch (Mechanical) Combo 12 & 24v	#0400



Digital Gauge Thermatic® Fan Switches

Description	Part
Digital Gauge Thermatic® Fan & EWP® Switch Kit	#0500



Temperature Sensor Adaptor Kit

Description	Part
Temperature Sensor Adapter Kit - 35mm Inline Adapter	#0409
Temperature Sensor Adapter Kit - 38mm 'Inline Adapter	#0408
Compression Fitting 1/4"NPT#0400/1 0404 0444 0455	#0418



EWP® Air Bleed Adaptor Kit

Description	Part
Air bleed 35mm Adapter Kit	#0415
Air bleed 38mm Adapter Kit	#0417
Air Bleed Fitting - 1/4" NPT	#10412



In-line Sensor Adaptor

Description	Part
35mm Inline Adapter with 2 x 1/4" NPT & 1 x Bung	#0419
38mm Inline Adapter with 2 x 1/4" NPT & 1 x Bung	#0416

Universal Single Fan Mounting Kit

Description	Part
Universal Single Fan Mounting Kit - 12 Volt	#1000
Universal Single Fan Mounting Kit - 24 Volt	#1001



Universal Dual Fan Mounting Kit

Description	Part
Universal Dual Fan Mounting Kit - 12 Volt	#1002
Universal Dual Fan Mounting Kit - 24 Volt	#1003



Fan Mounting Feet

Description	Part
Fan Mounting Feet x 4	#0604



Twin Fan Mounting Bracket

Description	Part
The Davies, Craig Twin Fan Mounting Brackets is designed to attach either two Davies, Craig 8" to 14" Thermatic® Fans or a single 16" Thermatic® Fan.	
The Twin Fan Mounting Bracket Kit offers the freedom to preassemble the fans outside the engine bay. It also provides flexible positioning of the complete assembly on to the radiator without the need to connect through the radiator core. Length: 760mm	
	#0422

Universal Fan Mounting Hardware

Description	Part
Hardware - Mounting Fan Trans Cool 4 x 70mm bolts	#0578
Quick Fit Kit - suit Fans Trans Coolers	#0579



Fans not included



Engine & Transmission Oil Coolers

Improving your engine and/or transmission cooling system offers a low-cost investment to insure you prevent overheating issues and premature failure.

Davies Craig offers a broad selection of the industry's highest quality cooler cores for a wide range of applications. From the Ultra-Cool® and Hydra-Cool® cores to the higher capacity stack plate coolers for either engine or transmission installations. All vehicles can benefit from the installation of a cooler core to its engine or transmission. Passenger cars, 4WD, SUVs, light commercials, motor homes and even motorcycles can achieve extended engine and/or transmission efficiency and life!

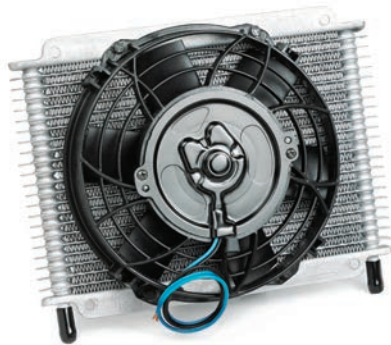
A Davies Craig Universal Cooler Kit is an effective & economical way to keep the engine oil or your automatic transmission fluid operating at its optimum operating temperature. These cooler cores are equally suitable for cooling torque converter, automatic transmission fluids and engine oils in a wide variety of applications. Whether you choose a tube and fin, plate and fin or stack plates each core offers its unique method of superior heat transfer.

Optimum oil and fluid temperatures for your vehicle's engine, transmission, and power steering systems are critical for suitable and sustained operation. As temperatures rise, oils and fluids break down and components that rely on these fluids begin to degrade, causing poor performance and subsequent premature failure. Engine and transmission oil coolers assist lower operating temperatures, improve performance, and lengthen component life.

Hydra-Cool® Plate and Fin Style

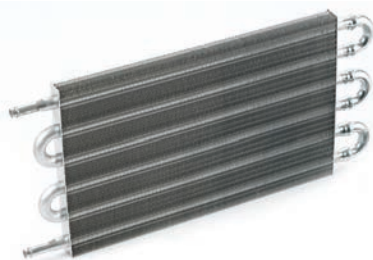
Lightweight, compact Hydra-Cool® transmission oil cooler's unique dimpled design, universal plate and fin design is rigidly constructed in full alloy which offers high heat transfer and corrosion resistance. The patented dimple plates redirect oil flow and in conjunction with the louvered fin design, provide highly efficient cooling with low pressure drop. An effective and economical method to keep your transmission at its optimum operating temperature. High efficiency turbulators in each tube direct the fluid for superior heat transfer.

Hydra-Cool's unique plate and fin design allows for effective cooling yet requires 33% less space. The Hydra-Cool's compact design is perfect for applications where available mounting space is limited.



Ultra-Cool® Tube and Fin Style

The Ultra-Cool® finned-tube contemporary style oil cooler core is designed in the traditional and classical style heat exchange assembly. These cores are proposed for installation to the earlier automatic transmissions produced and sold prior to 1990. Their simple design and surface area will assist extract damaging heat from the transmission to keep the automatic transmission fluid at a manageable temperature and the transmission operating smoothly.



Universal Oil Cooler Kits - Stacked Plate Style

Stacked Plate cores are the ideal accessory for any engine and/or transmission in extreme towing, off-roading or racing applications. Stacked Plate cores are available in 32mm, 14 row and 50mm 19 row or 30 row sizes. The higher Heat Transfer Rate (BTU/hr) offered by these Stacked Cores allows for faster dissipation of heat.

The Stacked Plate cores use AN fittings for quicker installation and removal. You can further enhance your engine and/or automatic transmission cooling capabilities by installing either the 32mm, 14 row or the 50mm 30 row with a Davies Craig 8" Slimline Thermatic® Fan. Greater mounting flexibility with these combo packs enables you to further control and direct air flow. Plus, the 8" Thermatic Fan is fully reversible offering a multitude of mounting options to operate in either 'pusher' or 'puller' configuration.

Note: Fan operation may require a Switch, Part #0401, #0444, #0445, #0448 or #0500.



Universal Oil Cooler Selection Guide

Vehicle Type	APPLICATION			
	Standard Duty / No Towing Part No.	Medium Duty/Light Towing Part No.	Heavy Duty/Heavy Towing Part No.	Super heavy Duty Transmission cooler or Engine Oil Cooler Part No.
4 Cyl. Up to 1990*	#401 or #676	#403 or #676	#404 or #677	#602
6 Cyl. Up to 1990*	#403 or #676	#404 or #677	#678	#602
8 Cyl. Up to 1990*	#404 or #677	#678	#623	#602
Small Car	#676	#677	#678	#602 or #605
Sedan / Wagon	#677	#678	#623	#602 or #605
4WDs & SUV	#678	#623	#679	#605 or #610
Commercial	#678	#623	#679	#610
<i>Cooler and Fan combo recommended for low-speed driving/towing and off-road applications</i>				
Small Car	#698 (12 V) #699 (24 V)	#698 (12 V) #699 (24 V)	#698 (12 V) #699 (24 V)	#600 (12 V) / #614 (12 V) or #608 (12 V)
Sedan / Wagon	#698 (12 V) #699 (24 V)	#698 (12 V) #699 (24 V)	#693 (12 V) #694 (24 V)	#600 (12 V) / #614 (12 V) or #608 (12 V)
4WDs & SUV	#698 (12 V) #699 (24 V)	#693 (12 V) #694 (24 V)	#691 (12 V) #692 (24 V)	#600 (12 V) or #608 (12 V)
Commercial	#698 (12 V) #699 (24 V)	#693 (12 V) #694 (24 V)	#691 (12 V) #692 (24 V)	#610 (12 V)
<i>Oil Cooler Accessories recommended for specific Transmissions</i>				
GM-Holden Transmission	Select cooler as above plus #1005	Select cooler as above plus #1005	Select cooler as above plus #1005	Select cooler as above plus #1005
6R80 Transmission	Select cooler as above plus #1006	Select cooler as above plus #1006	Select cooler as above plus #1006	Select Part # as above plus #1006

*Note: **Hydra-Cool**® Transmission Coolers are suitable for all vehicles.

Ultra-Cool® Transmission Coolers are only recommended for vehicles manufactured prior to 1990.

#1005 is an Adaptor Kit to suit 5/16" (8mm) inlet/outlet tube for GM transmissions - see page 38

#1007 is a Transmission Temperature Sensor Adaptor Kit - suits 3/8" hose + 1/4" NPT sensor - see page 38

Engine & Transmission Oil Coolers

Hydra-Cool® Transmission Oil Coolers

Features

- Internal turbulence for efficient heat transfer
- 100% pressure tested at 150 psi for quality assurance 33% more efficient than a comparable tube and fin design
- Pre-drilled top and bottom mounting plates
- Five sizes available to fit a wide range of transmissions
- 3/8" (9.5 mm) push-on fittings, 1.4 m 3/8" Hose, Hose clamps, Quick Fit Kit supplied.
- Comprehensive fitting instructions



Hydra-Cool®

Specifications

Part No.	Thickness mm	Overall		Core		Inlet/Outlet Size	Core Part No.	No. of Plates	Heat Transfer Rate (BTU/hr)
		Width mm	Height mm	Width mm	Height mm				
#676	20	281	141	281	112	3/8" (9.5 mm)	#10856	12	11,987
#677	20	281	180	281	152	3/8" (9.5 mm)	#10859	17	13,394
#678	20	281	213	281	184	3/8" (9.5 mm)	#10853	21	13,934
#623	20	281	229	247	200	3/8" (9.5 mm)	#10861	23	13,937
#679	20	281	300	281	265	3/8" (9.5 mm)	#10854	30	15,710
#1005	5/16" (8 mm) Adapter Kit to suit GM transmissions (sold separately)								
#1006	TOC Fitting Kit (6R80) - Ford Ranger & Mazda BT50 (sold separately)								
#1007	Transmission Temperature Sensor Adapter Kit - suits 3/8" Hose and 1/4" NPT Thermal Sensor (sold separately)								

Ultra-Cool® Transmission Oil Coolers

Features

- Can be fitted as heavy-duty Power Steering Cooler
- Ultrasonically soldered for reliability
- 100% pressure tested at 150 psi for quality assurance
- High efficiency turbulators in every tube for maximum heat dissipation
- 3/8" (9.5 mm) push-on fittings, 1.4 m 3/8" hose, Hose Clamps, Quick Fit Kit supplied.
- Comprehensive fitting instructions



Ultra-Cool®

Specifications

Part No.	Thickness mm	Overall		Core		Inlet/Outlet Size	Heat Transfer Rate (BTU/hr)
		Width mm	Height mm	Width mm	Height mm		
#401	20	319	127	245	127	3/8" (9.5 mm)	9,000
#403	20	316	191	245	191	3/8" (9.5 mm)	10,800
#404	20	403	191	315	191	3/8" (9.5 mm)	12,000
#1005	5/16" (8 mm) Adapter Kit to suit GM transmissions (sold separately)						
#1006	TOC Fitting Kit (6R80) - Ford Ranger & Mazda BT50 (sold separately)						
#1007	Transmission Temperature Sensor Adapter Kit - suits 3/8" Hose and 1/4" NPT Thermal Sensor (Part #18415 sold separately)						

30 Plate Hydra-Cool® Transmission Oil Cooler/Fan Combo Kits

Kit Features

- 100% pressure tested at 150 psi for quality assurance
- 33% more efficient than a comparable tube and fin design
- 10" Thematic Fan Kit (refer page 29)
- 12- or 24 Volt model options
- Pre-drilled mounting plates for easy installation
- Internal turbulence for efficient heat transfer
- 3/8" (9.5 mm) barb fittings for easy installation.
- Comprehensive fitting instructions



Specifications

Part No.	Volts	Overall			Core		Inlet/Outlet Size	Core Part No.	No. of Plates	Heat Transfer Rate (BTU/hr)
		Thickness mm	Width mm	Height mm	Width mm	Height mm				
#691	12 V	70	281	300	281	265	3/8" (9.5 mm)	#10854	30	15,710
#692	24 V	70	281	300	281	265	3/8" (9.5 mm)	#10854	30	15,710
#1005	5/16" (8 mm) Adapter Kit to suit GM transmissions (sold separately)									
#1006	TOC Fitting Kit (6R80) - Ford Ranger & Mazda BT50 (2011- present, sold separately)									
#1007	Transmission Temperature Sensor Adapter Kit - suits 3/8" Hose and 1/4" NPT Thermal Sensor (Part #18415 sold separately)									

21/23 Plate Hydra-Cool® Transmission Oil Cooler/Fan Combo Kits

Kit Features

- 100% pressure tested at 150 psi for quality assurance
- 33% more efficient than a comparable tube and fin design
- 8" Thematic Fan (specifications page 27)
- 12- or 24-Volt models
- Pre-drilled mounting plates for easy installation
- Internal turbulence for efficient heat transfer
- 3/8" (9.5 mm) barb fittings for easy installation.



Specifications

Part No.	Volts	Overall			Core		Inlet/Outlet Size	Core Part No.	No. of Plates	Heat Transfer Rate (BTU/hr)
		Thickness mm	Width mm	Height mm	Width mm	Height mm				
#698	12 V	72	281	141	281	184	3/8" (9.5 mm)	#10853	21	13,934
#693	12 V	72	281	229	247	200	3/8" (9.5 mm)	#10861	23	13,937
#699	24 V	72	281	141	281	184	3/8" (9.5 mm)	#10853	21	13,934
#694	24 V	72	281	229	247	200	3/8" (9.5 mm)	#10861	23	13,937
#1005	5/16" (8 mm) Adapter Kit to suit GM transmissions (sold separately)									
#1006	TOC Fitting Kit (6R80) - Ford Ranger & Mazda BT50 (2011- present, sold separately)									
#1007	Transmission Temperature Sensor Adapter Kit - suits 3/8" Hose and 1/4" NPT Thermal Sensor (Part #18415 sold separately)									

Universal Oil Coolers

Engine/Transmission Oil Coolers – AN10 ORB Fittings

Kit Features

- 100% pressure tested at 150psi for quality assurance
- Pre-drilled mounting plates for easy installation
- Internal turbulation for efficient heat transfer
- AN10 ORB fittings
- Comprehensive Installation Instructions



Specifications

Part No.	Thickness mm	Overall		Core		Inlet/Outlet Size	No. of plates	Heat Transfer Rate (BTU/hr)
		Width mm	Height mm	Width mm	Height mm			
#602	32	258	224.5	258	185.5	AN10 ORB	14	21,000
#605	51	330	166	285	142	AN10 ORB	19	37,000
#610	51	330	249	285	226	AN10 ORB	30	50,000
#1005	5/16" (8 mm) Adapter Kit to suit GM transmissions (sold separately)							
#1006	TOC Fitting Kit (6R80) - Ford Ranger & Mazda BT50 (sold separately)							
#1007	Transmission Temperature Sensor Adapter Kit - suits 3/8" Hose and 1/4" NPT Thermal Sensor (Part #18415 sold separately)							
#1008	AN-10 to 3/8" barb fitting							
#1010	Transmission Oil Cooler Fitting Kit (AN10 ORB To 3/8" Hose)							

Engine/Transmission Oil Cooler Fan Combo Kit – AN10 ORB Fittings

Kit Features

- 100% pressure tested at 150 psi for quality assurance
- Suitable for Engine and transmission oil
- 8" Thermatic Fan
- Pre-drilled top & bottom mounting plates for easy installation
- Internal turbulation for efficient heat transfer
- AN10 ORB fittings



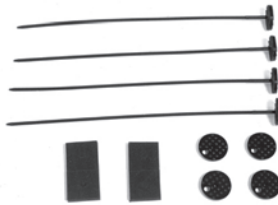
Specifications

Part No.	Volts	Thickness mm	Overall		Core		Inlet/Outlet Size	No. of plates	Heat Transfer Rate (BTU/hr)
			Width mm	Height mm	Width mm	Height mm			
#600	12 V	87	258	224.5	258	185.5	AN10 ORB	14	21,000
#608	12 V	106	330	249	285	226	AN10 ORB	30	50,000
#1005	5/16" (8 mm) Adapter Kit to suit GM transmissions (sold separately)								
#1006	TOC Fitting Kit (6R80) - Ford Ranger & Mazda BT50 (sold separately)								
#1007	Transmission Temperature Sensor Adapter Kit - suits 3/8" Hose and 1/4" NPT Thermal Sensor (Part #18415 sold separately)								
#1008	AN-10 to 3/8" barb fitting								
#1010	Transmission Oil Cooler Fitting Kit (AN10 ORB To 3/8" Hose)								

Oil Cooler Accessories

Quick Fit Kit

Description	Part
Quick Fit Kit – economic and ideal for fan and core installations.	#0579



5/16" (8 mm) GM Adapter Kit

This Adaptor Kit is complete to install Transmission Oil Cooler Kits to a General Motors Automatic Transmission.

Description	Part
5/16" (8 mm) Adapter Kit to suit GM Transmissions	#1005



Transmission Oil Cooler Fitting Kit (6R80) - Ford Ranger & Mazda BT50

The 6R80 Transmission Oil Cooler Fitting Kit will assist with the installation of your chosen Davies, Craig Transmission Oil Cooler to the Ford Ranger, Mazda BT50 and other vehicles fitted with the Ford 6R80 Transmission.

Description	Part
Transmission Oil Cooler Fitting Kit (6R80) - Ford Ranger & Mazda BT50.	#1006



Transmission Temperature Sensor Adapter Kit

Use this kit to install mechanical and electric transmission temperature gauges in the HOT transmission cooler line.

Description	Part
Transmission Temperature Sensor Adaptor Kit - suits 3/8" Hose and 1/4" NPT Thermal Temperature Sensor	#1007



AN-10 to 3/8" (9.5mm) Alloy Barb Fitting

The Transmission Oil Cooler Fitting Kit is designed to assist the installation of your chosen 32mm or 50mm Davies, Craig Engine/Transmission Oil Cooler

Description	Part
AN-10 to 3/8" (9.5 mm) Alloy Barb Fitting	#1008



Transmission Oil Cooler Fitting Kit (AN10 ORB To 3/8" Hose)

The Transmission Oil Cooler Fitting Kit is designed to assist the installation of your chosen 32mm or 50mm Davies, Craig Engine/Transmission Oil Cooler.

Description	Part
Transmission Oil Cooler Fitting Kit (AN10 ORB to 3/8" Hose)	#1010



Power Steering Oil Cooler

The compact Power Steering Cooler Kit offers extra protection to power steering systems against damaging heat.

Suits all vehicles with 3/8" (9.5mm) Power steering lines.

Parts #401, #403 & #404 kits can be installed as heavy-duty Power Steering Coolers.

Part No.	Thickness mm	Overall		Core		Inlet/Outlet Size	Heat Transfer Rate (BTU/hr)
		Width mm	Height mm	Width mm	Height mm		
#1009	19	226	64	148	64	3/8" (9.5 mm)	4000



Tyre Pressure Monitoring System

TyreGuard 400 TPMS Kits

The Davies Craig TYREGUARD 400 Tyre Pressure Monitoring System (TPMS) is a unique wireless electronic safety system for monitoring air pressure and temperature in tyres. The kits consist of easy-to-install screw-on to the valve stem sensors (up to 22 sensors) and a hand-held monitor.

Once installed and set up the sensor monitors each tyre's pressure and temperature which transmits this data to the monitor which is kept in a convenient cradle, inside the vehicle within easy reach. This data is graphically illuminated on the monitor's LED screen and buttons allow you to scroll through the data for individual tyre pressure and temperature readings. For longer vehicles with caravans or trailers a TyreGuard 400Booster (Part #1020) is available, mounted and wired at the rear the booster's transmitting radius is approx. 18 metres.

Description	Part
TyreGuard 400 TPMS with 4 Sensors (pictured) supplied with 3 Volt batteries, anti-theft locking devices, Monitor Mounting Bracket, Cradle & AC/DC Charger	#1015
TyreGuard 400 TPMS with 6 Sensors - supplied with 3 Volt batteries, anti-theft locking devices, Monitor Mounting Bracket, Cradle & AC/DC Charger	#1017
TyreGuard 400 TPMS with 8 Sensors - supplied with 3 Volt batteries, anti-theft locking devices, Monitor Mounting Bracket, Cradle & AC/DC Charger	#1019
TyreGuard 400 TPMS Booster (12 V/24 V)	#1020



TyreGuard 400 Sensor Kit

Sensor's x 2 for use with the TYREGUARD 400 Kit, Part Numbers #1015, #1017 & #1019 will allow you to monitor the air pressure and temperature of up to 22 tyres with a pressure range of 0 to 145 psi.

Description	Part
TyreGuard 400 Sensor Kit	#1016



TyreGuard 400 Sensor x 1

Single Sensor for use with the TYREGUARD 400 Kit

Description	Part
TyreGuard 400 Sensors x 1	#1011



World's best auto cooling products



Shop online for all your automotive cooling needs:

www.daviescraig.com.au

or call (03) 9369 1234 for your nearest outlet

- Electric Water Pumps
- Electric Booster Pumps
- Digital Controllers
- Switches
- Thermatic Fans
- Transmission & Power Steering Oil Coolers
- T.P.M.S.



Designed & Manufactured in Australia

US Patent No: 6425353, Australian Patent
No: 756456, European Patent No: 1133624,
Japan & Indian Patents Pending



World's best auto cooling

Davies, Craig Pty Ltd ABN 71 004 918 825

Registered Office:

61-67 Taras Ave (PO Box 363), Altona North VIC 3025 Australia

Ph: +61 3 9369 1234 Fax: + 61 3 9369 3456

Email: info@daviescraig.com.au

www.daviescraig.com.au

Printed July 2023